



**TRAVIS INDUSTRIES
HOUSE OF FIRE**

Wall Mount Timer

SKU # 99300661

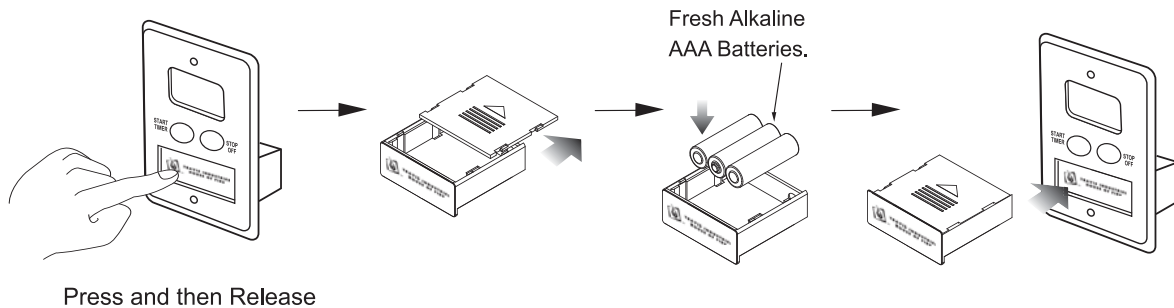
Operating Instructions For The Homeowner

The Wall Mount Timer is designed for use with decorative gas fireplace and wall heaters using a Millivolt gas valve.

INSTALLING FRESH BATTERIES:

The fireplace **MUST** be OFF before replacing transmitter batteries.

INSTALL BATTERIES INTO THE WALL MOUNT TIMER:



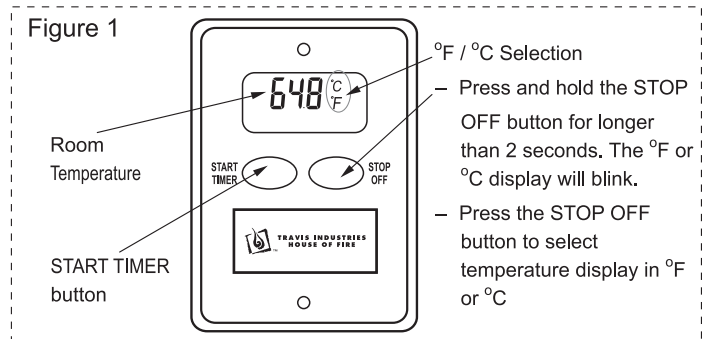
OPERATION INSTRUCTIONS

WALL MOUNT TIMER OPERATION:

A. Flame On/Off (see figure 1)

1. Press the START TIMER button once to start the setting timer and turn on the fireplace.
2. Press the STOP OFF button once or at the end of the Timer Setting to turn off the fireplace.

WARNING: IT TAKES SOME TIME FOR THE RECEIVER TO RESPOND TO THE WALL MOUNT TIMER. DO NOT PRESS THE BUTTONS MORE THAN ONCE WITHIN 2 SECONDS FOR CORRECT OPERATION.



B. Setting: (see figure 1)

--°F/°C Selection

1. press and hold the "STOP OFF" button for 2 seconds, the °F/°C display will blink.
2. press the "STOP OFF" button to select temperature display in °F/°C .
3. press and hold the "STOP OFF" button for 4 seconds to exit setting.

C. Timer setting

1. Press the START TIMER button once enter a "Count-Down" Timer setting. The "Count down" timer has replaced the "Room Temperature" display. The default is 30 minutes (blinking). Range: 30, 60, 90 or 120 minutes. (see figure 2), Press the START TIMER button again to select the desired value.
2. Press START TIMER to review time left on "Count-Down" timer after activated, for example, "-25" means (blinking) the fireplace will run for 25 minutes. (see figure 3)
3. If you want to reset the "Count-Down" Timer after activated, you need to press STOP OFF button once to turn off the fire place, then repeat step 1.
4. After the "Count down" timer has reached zero, it will automatically switch off the fireplace.

Figure 2



Figure 3



Installation Instruction

Installing the Wall Mount Timer

Install the wall mount timer into a wall junction box

- Secure the wall mount timer to the wall mount.
- Use the screws provided to secure the face Plate to the wall mount timer. See *Figure 4*.

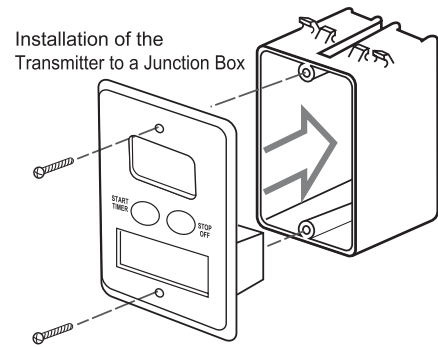


Figure 4

Attaching the Timer

Connect the included wiring harness to the two terminals on the timer. See *Figure 5*. Connect the harness to the on/off circuit of the appliance (see "Series Connection" diagram below).

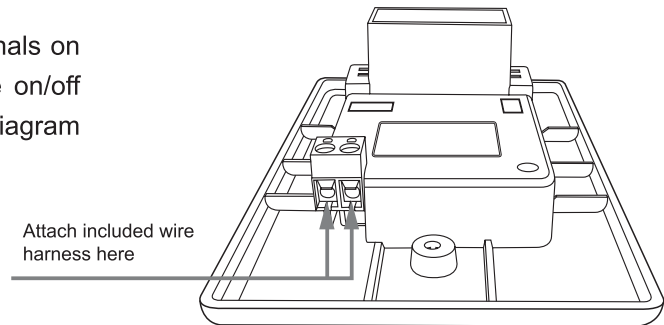


Figure 5

Series Connection

| | | |
|--|------------------------------|-------------------------------|
| | On / Off Switch ON | On / Off Switch OFF |
| Thermostat / External Switch ON | Heater is ON | Heater is OFF |
| Thermostat / External Switch OFF | Heater is OFF | Heater is OFF |

To wire the heater in series, follow the directions below:

