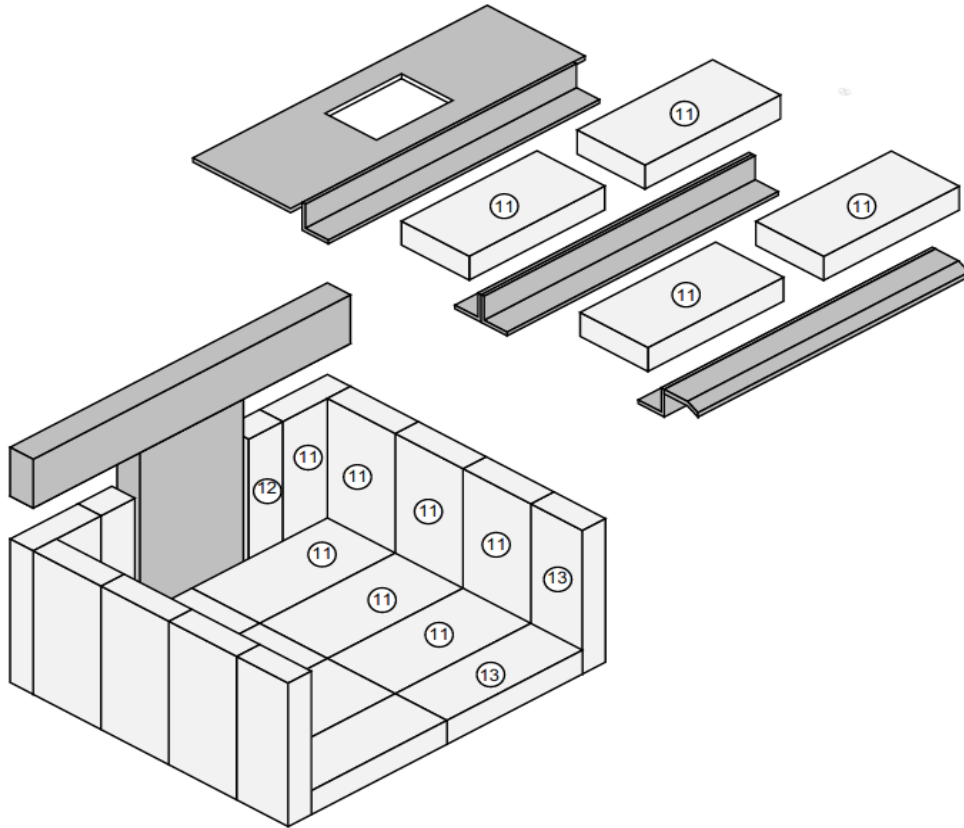




1750i FIREBRICK ORDER FORM



ID#	SKU	DESCRIPTION	QTY	ORDER QTY
11	251-00000	BRICK-WHOLE, 9 x 4-1/2 x 1-1/4	18	
12	251-00021	BRICK-CUT, 9 x 2	2	
13	251-00022	BRICK-CUT, 9 x 3-11/16	4	

STOCK	99900102	BOX OF 8, WHOLE BRICK (251-00000 x 8)	BOX OF 8	
--------------	-----------------	--	-----------------	--

Ship To _____ Acct # _____ PO# _____

Street _____

City, ST _____

Please send
to your
Travis Sales Team

Melodie Kauf: FAX (425) 609-2792
John Beiermann: FAX (425) 315-9911
Quinn Wilks: FAX (425) 315-9913

saleswest@travis-inc.com
saleseast@travis-inc.com
salescentral@travis-inc.com