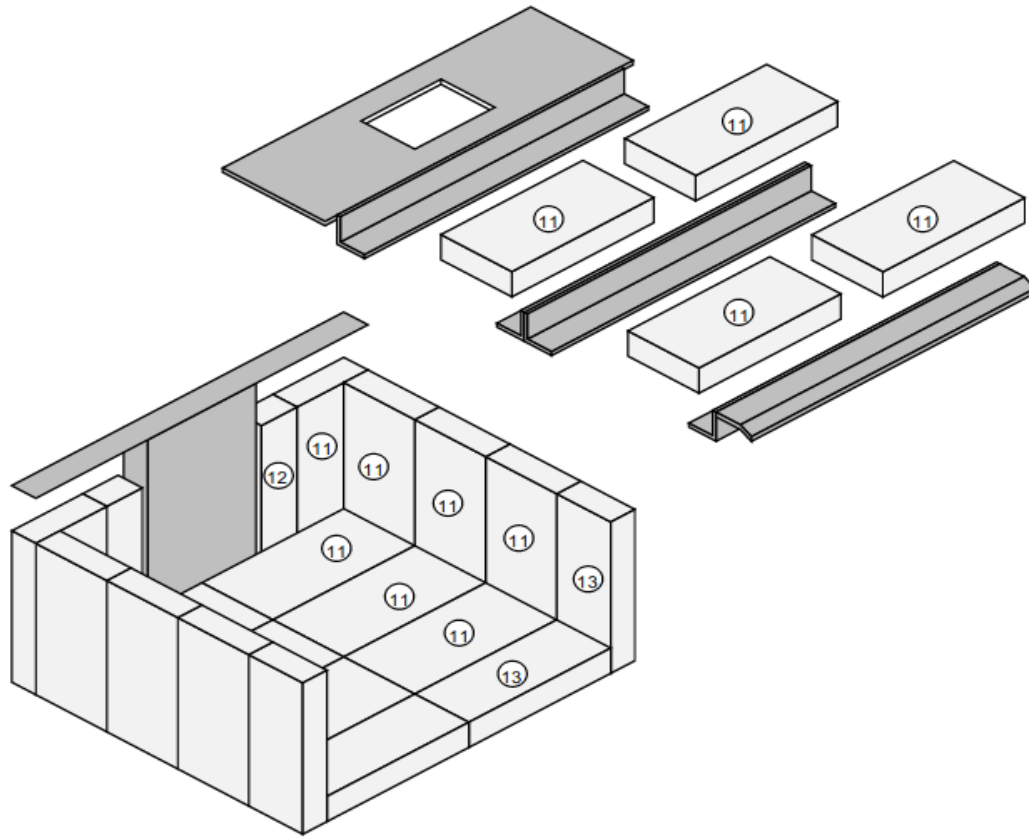




ENDEAVOR FIREBRICK ORDER FORM



| ID# | SKU | DESCRIPTION | QTY | ORDER QTY |
|-----|-----------|--------------------------------|-----|-----------|
| 11 | 251-00000 | BRICK-WHOLE, 9 x 4-1/2 x 1-1/4 | 18 | |
| 12 | 251-00055 | BRICK-CUT, 9 x 2-1/8 | 2 | |
| 13 | 251-00022 | BRICK-CUT, 9 x 3-11/16 | 4 | |

| | | | | |
|-------|----------|---------------------------------------|----------|--|
| STOCK | 99900102 | BOX OF 8, WHOLE BRICK (251-00000 x 8) | BOX OF 8 | |
|-------|----------|---------------------------------------|----------|--|

Ship To _____

Acct # _____ PO# _____

Street _____

City, ST _____

Please send
to your
Travis Sales Team

Melodie Kauf: FAX (425) 609-2792
John Beiermann: FAX (425) 315-9911
Quinn Wilks: FAX (425) 315-9913

saleswest@travis-inc.com
saleseast@travis-inc.com
salescentral@travis-inc.com