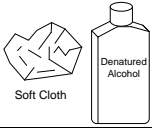


## Compatibility

- DVS Insert
- DVS Fireplace

## Warnings



### Plated Surfaces Warning:

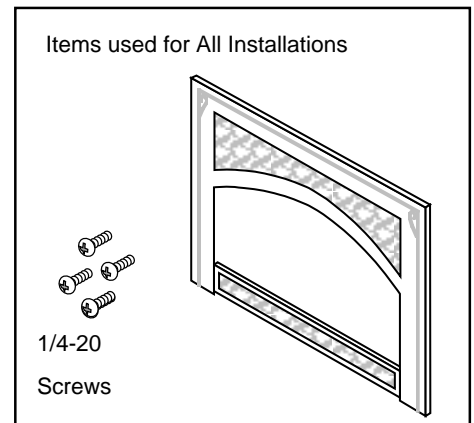
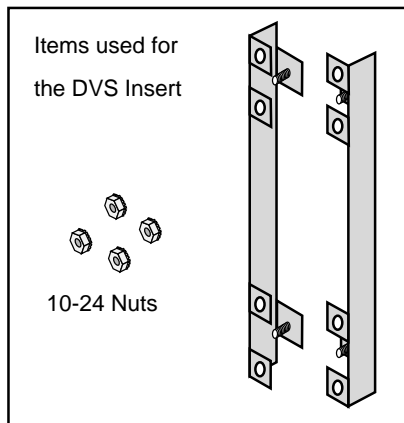
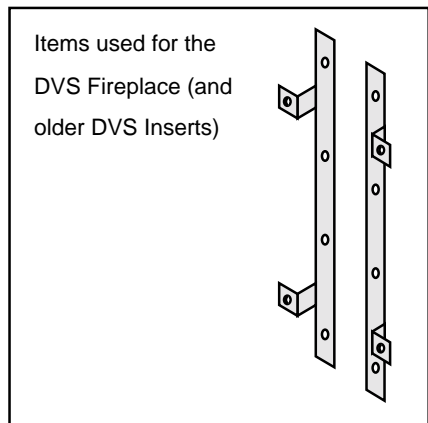
Any marks left on the optional plated surface may become etched-in by the heat of the appliance. Use denatured alcohol and a soft cloth to clean.



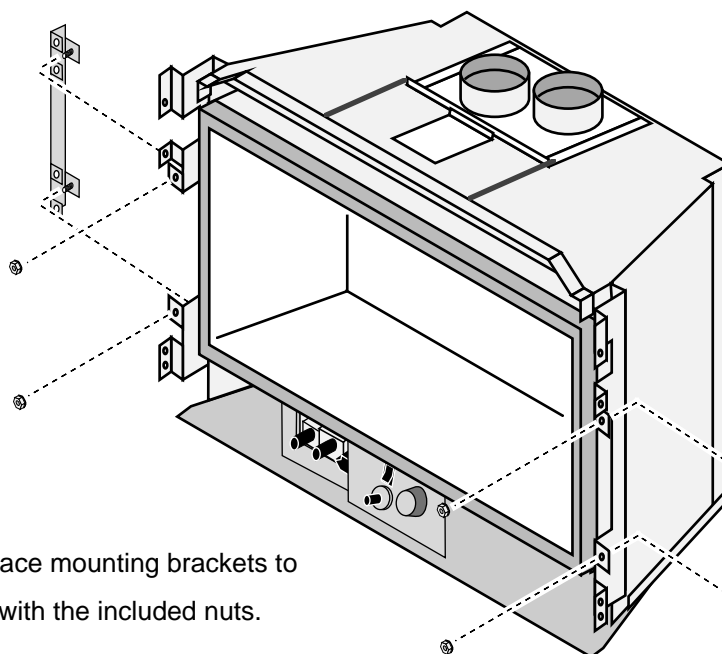
### Warning:

Make sure the heater has fully cooled prior to conducting service.

## Packing List



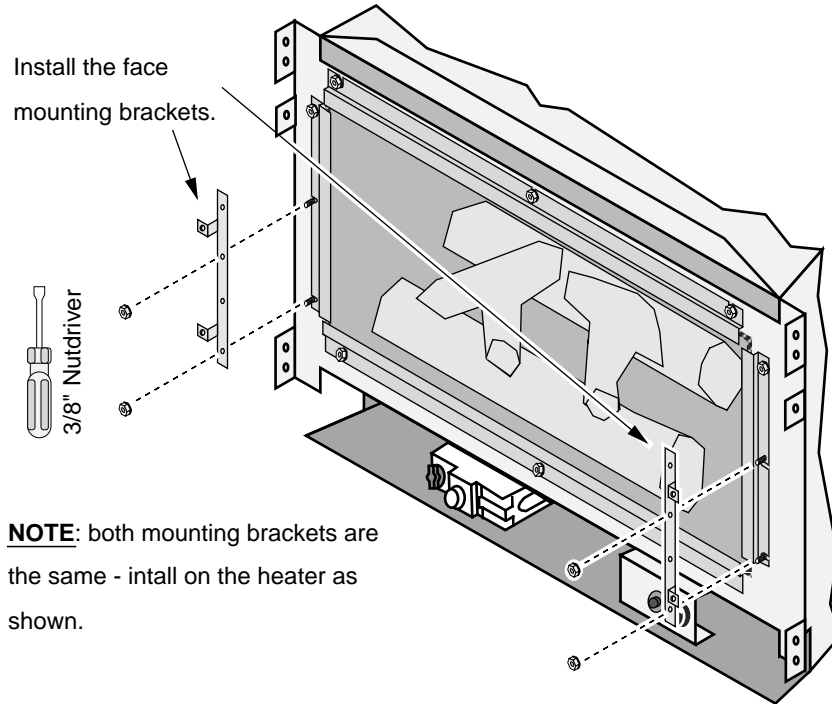
## Bracket Installation – DVS Insert EF II



Install the face mounting brackets to the heater with the included nuts.

**NOTE:** The brackets install with this pair of closely spaced flanges at the top.

## Bracket Installation – DVS Fireplace or Older DVS Insert (SN 3401-123823 or less)



## Face Installation

**WARNING:** When attaching the Victorian Lace Face, **do not over-tighten the screws.** Over-tightening the screws may damage the face – simply tighten the screws until they contact the face.

