



### Compatibility

- All Travis Gas Stoves
- 33 DVI Insert
- 31 DVI Insert
- 564 SS and DF
- 864 TRV, ST, and HO
- All Travis Pellet Stoves or Inserts

### Packing List

- Thermostat
- Thermostat Wire (20')
- (2) Screws (for attaching thermostat)
- "Y" Jumper Wires (for gas appliances only)

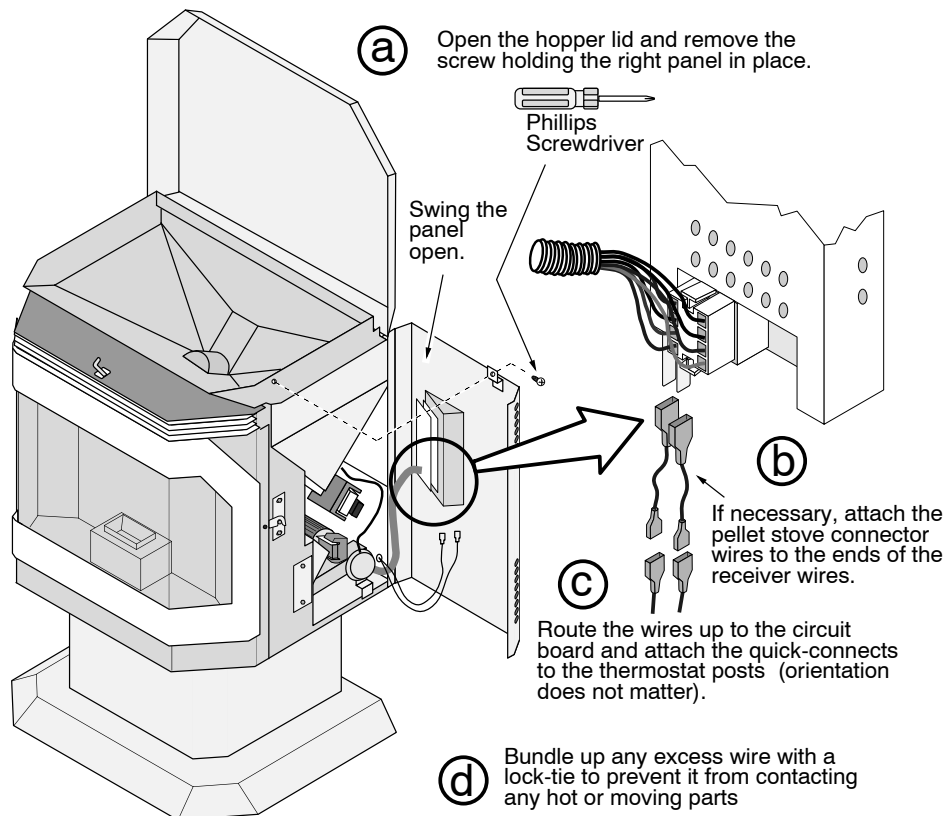
### Installation Warnings

- ! Shut off power to the appliance and allow it to cool prior to installation.
- ! This kit must be installed by a qualified technician.
- ! Do not connect 110 VAC to the gas control valve or on/off switch on gas heaters or the thermostat posts on pellet heaters.

Follow the instructions on the following pages for the type of model being addressed.

### Wire Connection - Pellet Heaters

Attach the thermostat wire to the circuit board.





### Wire Connection - Gas Heaters

The included wire splitter allows the installer to connect the thermostat to the on/off switch on the heater. Follow the directions below to install the splitter in series or parallel connection.

**WARNING:** Make sure all wiring is secure and does not contact hot or moving components.

**NOTE:** The newer switch has two terminals and is pictured below. Older switches have four terminals. Use the top and bottom terminal on either side of the switch when connecting the wires (see the illustration to the right).

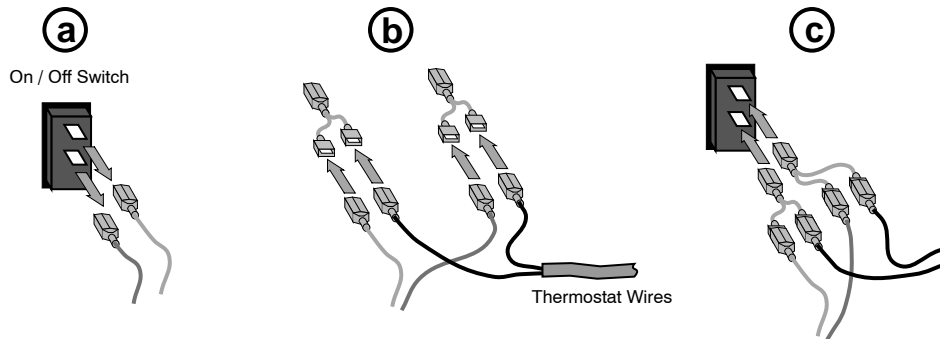


#### Parallel Connection

A parallel connection allows either the thermostat or on/off switch to turn the heater on. See table below:

	On/Off Switch <b>ON</b>	On/Off Switch <b>OFF</b>
Thermostat <b>ON</b>	Heater is <b>ON</b>	Heater is <b>ON</b>
Thermostat <b>OFF</b>	Heater is <b>ON</b>	Heater is <b>OFF</b>

To wire the heater in parallel, follow the directions below:

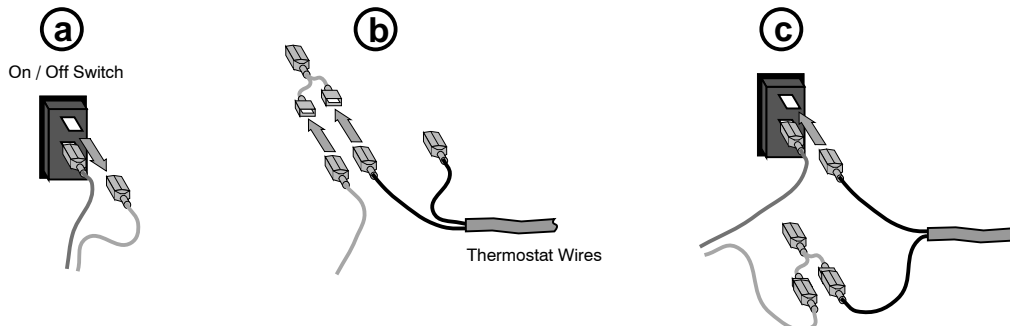


#### Series Connection

A series connection allows either the thermostat or on/off switch to turn the heater off. See table below:

	On/Off Switch <b>ON</b>	On/Off Switch <b>OFF</b>
Thermostat <b>ON</b>	Heater is <b>ON</b>	Heater is <b>OFF</b>
Thermostat <b>OFF</b>	Heater is <b>OFF</b>	Heater is <b>OFF</b>

To wire the heater in series, follow the directions below:





### Thermostat Placement and Installation

- 1 Determine a location for the thermostat that is within range of the 20' length of thermostat wire. It should be centralized in the room and away from the heater. The wire may be routed externally on the wall or behind the wall (preferred). Run the thermostat wire to this location. Use nylon ties, if necessary to keep the wire from contacting any hot portions of the heater.
- 2 Follow the directions below to attach the thermostat and thermostat wires.

