

## COMPATIBILITY

- Travis Ind. DVS Insert

## TOOLS REQUIRED

- 5/16" Nutdriver

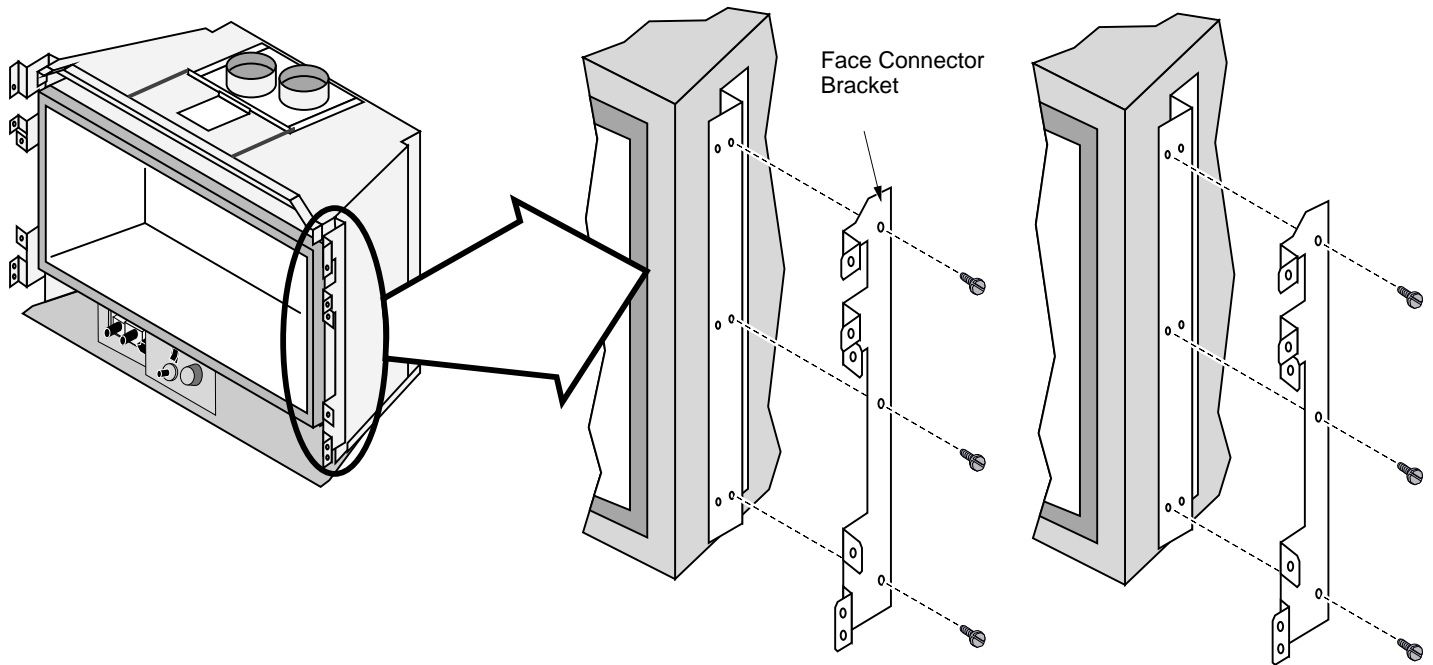
## PACKING LIST

- Black Face
- Black Welded Door
- Four 10-24 Thread-Cutting Screws

**NOTE:** On newer units (2008 or later), leave the glass on and move the face connector to the forward position (see illustration below). For older units, remove the glass.

Remove the face connector bracket from the heater (on both sides).

Re-attach the face connector to the heater using the forward mounting holes.



## INSTALLATION INSTRUCTIONS

! Turn the gas control valve to "OFF" prior to conducting any service.

- 1 The panels must be installed prior to installing the face.
- 2 Install the face and door following the steps below.

**a** Remove and discard the two screws used to hold the door in place during shipping. Cut off and discard the lock tie holding the door in place.

5/16" Nutdriver

**b** Pre-thread the holes on the face mounting brackets with the screws included with this kit (both sides).

5/16" Nutdriver

**c** Attach the face using the four screws included with the face.

5/16" Nutdriver

Swing the door down to access the lower holes.

**NOTE:** The face fits inside the brackets on the heater.

**NOTE:** Hold the door in place while installing. If it comes off, replace it by inserting the pins on the face through the holes in the door..

**d** Attach the door by inserting the hooks on the door over the pins built into the face (after installing the logs and glass).

**GOLD DOORS:**  
After installation, remove tape and clean surface with denatured alcohol and a soft cloth.