



Compatibility

- 864 TRV, ST, and HO
- Xtreme 6020
- 36 CF ST and Pier -- **NOTE:** Requires the 1080 CF/36 CF ST-Pier wiring kit – sku 94400995.
- 1080 -- **NOTE:** Requires the 1080 CF/36 CF ST-Pier wiring kit – sku 94400995.

Packing List

- Blower Box
- Duct Adapter (6" Round to 10" by 3-1/4")
- 6" Round Duct (2' to 20' Length)
- Rheostat
- Rheostat Knob
- Grill (with 2 screws)
- Wall Adapter
- 2 Junction Boxes
- Cover Plate (w/ screws)
- Floor Boot
- 4 #8 Sheet Metal Screws
- Wall Mounting Brackets (2)
- Electrical Connector (molex 3-wire)
- Starter Ring
- (4) #8 Wood Screws
- (2) Romex Cable Clamp
- Thermodisk (for 36 and 44 DV models with modulating remotes –contact Travis Ind. for details)
- Thermodisk Pass-Through Wire (864 HO only)

Installation Warnings

Warning: This kit must be installed as specified in these instructions. Do not modify any component.

Warning: Use of any external blower other than the Travis Power Heat Duct Blower will void the warranty and listing of this appliance and may create a fire hazard.

Note: The power heat duct **must** be installed by a qualified service technician.

Note: Some building codes may require the use of firestop spacers whenever the duct passes from room to room.

Note: When routing ducts through a cold area (e.g. crawl space) we recommend insulating the duct with fiberglass insulation. If paper-backed insulation is used, the paper can not contact the duct.



Installation Overview

The overview below details installation concerns for the type of heater being used. Install the heat duct prior to installing drywall.

864 HO

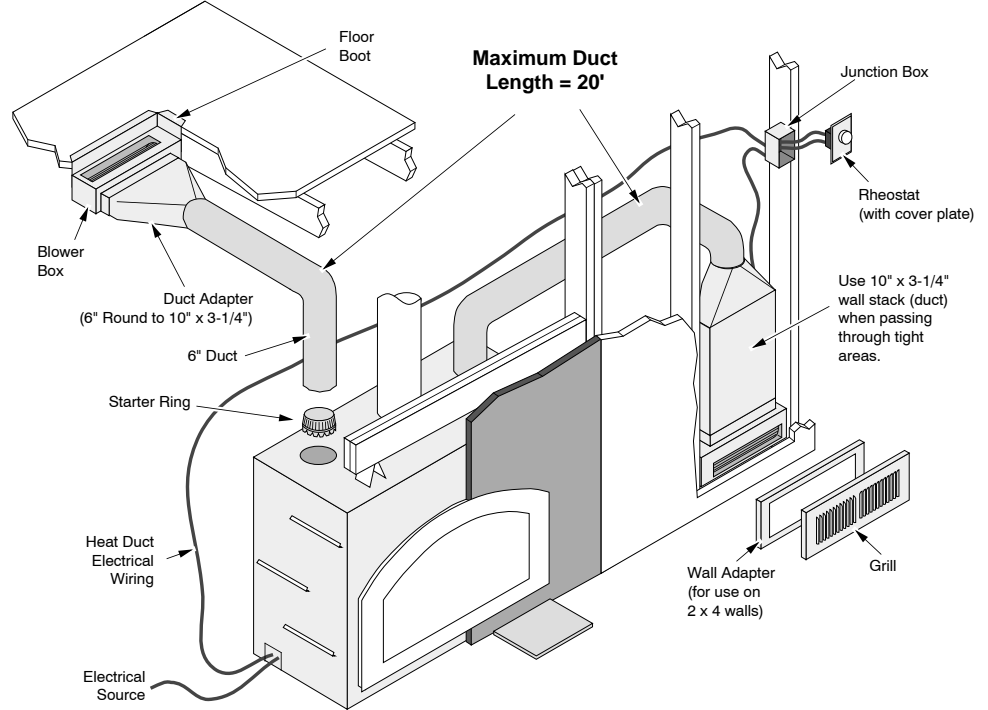
Xtreme 6020*

36 CF ST/Pier

1080 CF

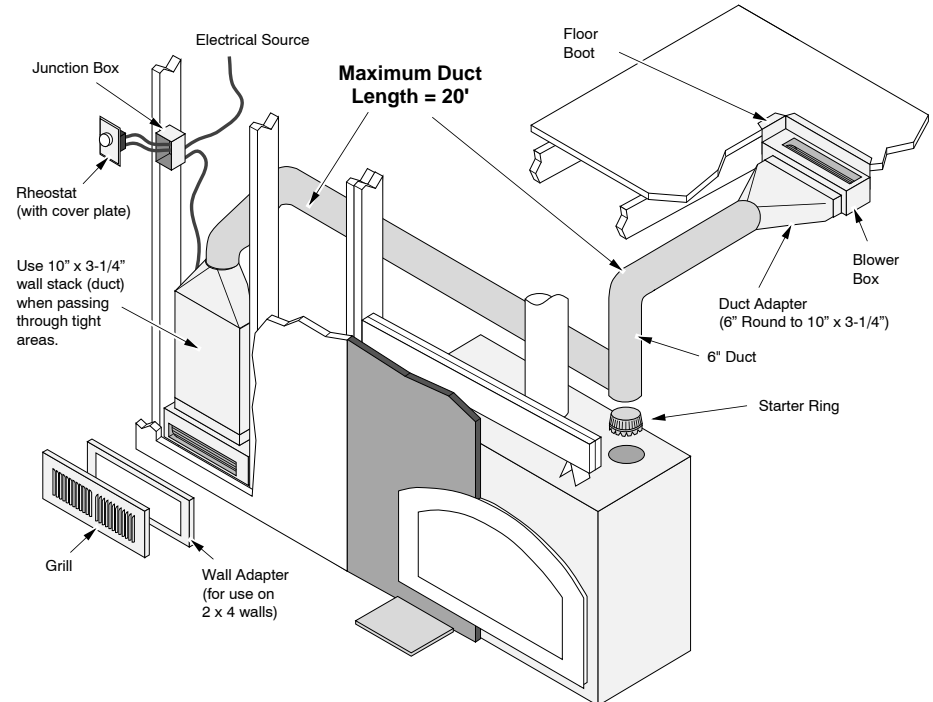
NOTE: These fireplaces use an internal thermodisk to automatically turn the blower on when the fireplace reaches suitable temperature (note: the rheostat must be turned on for this feature to work). The power heat duct will run until the fireplace has cooled sufficiently.

* The Xtreme 6020 is installed without the rheostat (the blower is controlled by the remote).



864 TRV or ST

NOTE: These fireplaces require the power heat duct to be manually controlled. The homeowner must turn the blower on and off manually. The blower will remain on even if the fireplace is turned off.



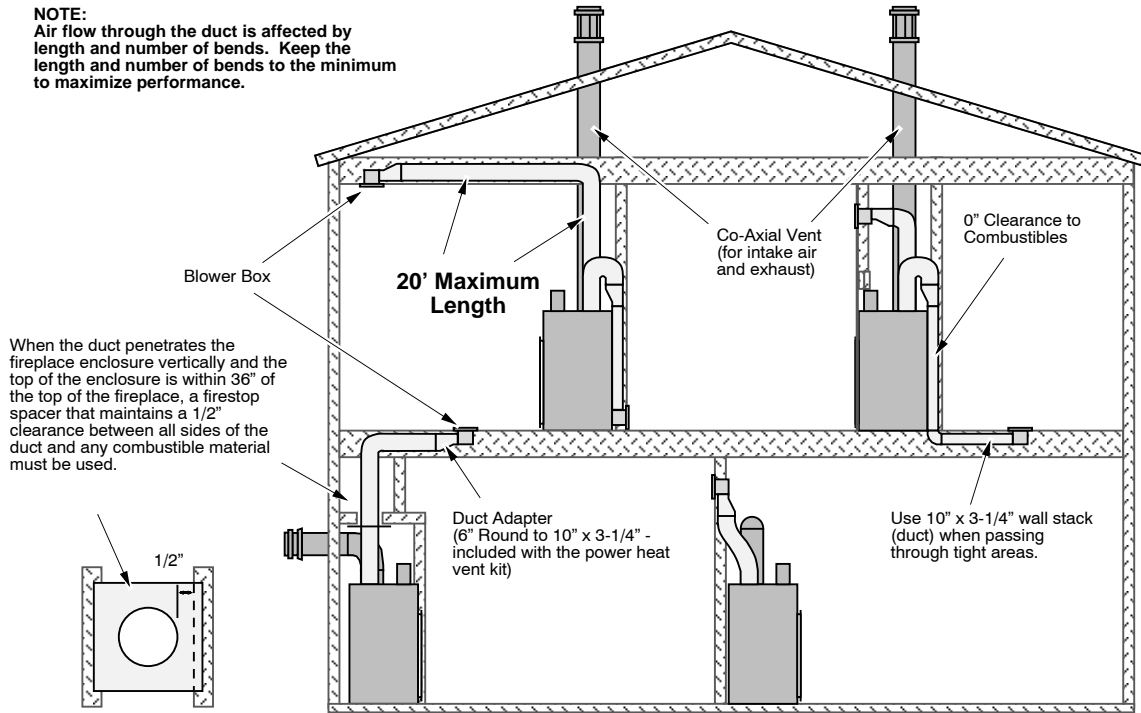


Duct Installation

Duct Routing

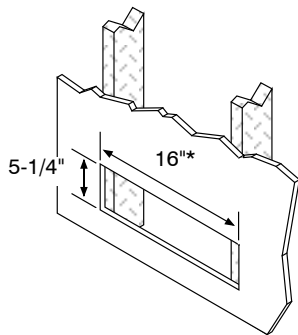
Determine the route for the heat duct using the illustration below as a guide.

NOTE:
Air flow through the duct is affected by length and number of bends. Keep the length and number of bends to the minimum to maximize performance.

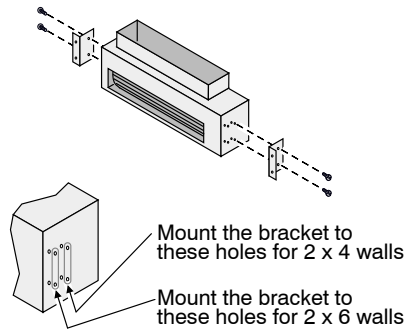


Blower Mounted in Wall or Ceiling

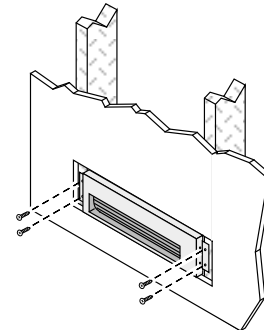
- (a)** Cut a hole between wall framing members for the blower assembly.



- (b)** Attach the wall mounting brackets to the blower box.



- (c)** Slide the blower, with wires, into the hole cut in step "a". Attach with four screws.

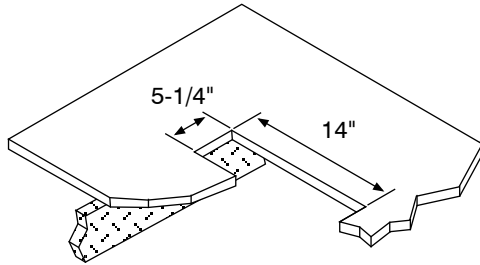


* This blower was designed for framing on 16" centers. Construct additional framing if needed. If the blower is installed prior to the drywall only a 14" opening is required. If installed after the drywall is in place, the drywall to the sides of the blower will need to be patched.

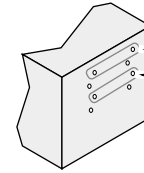
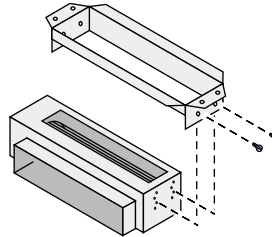


Blower Mounted in Floor

- a** Cut a hole between floor joists for the blower box.

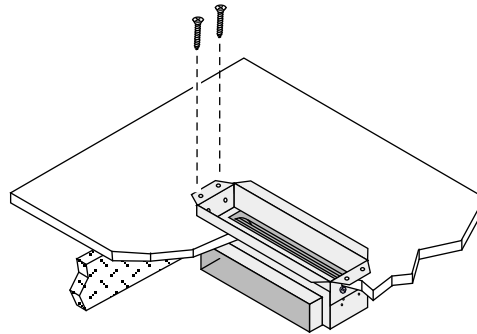


- b** Attach the floor boot to the blower box with the included screws.



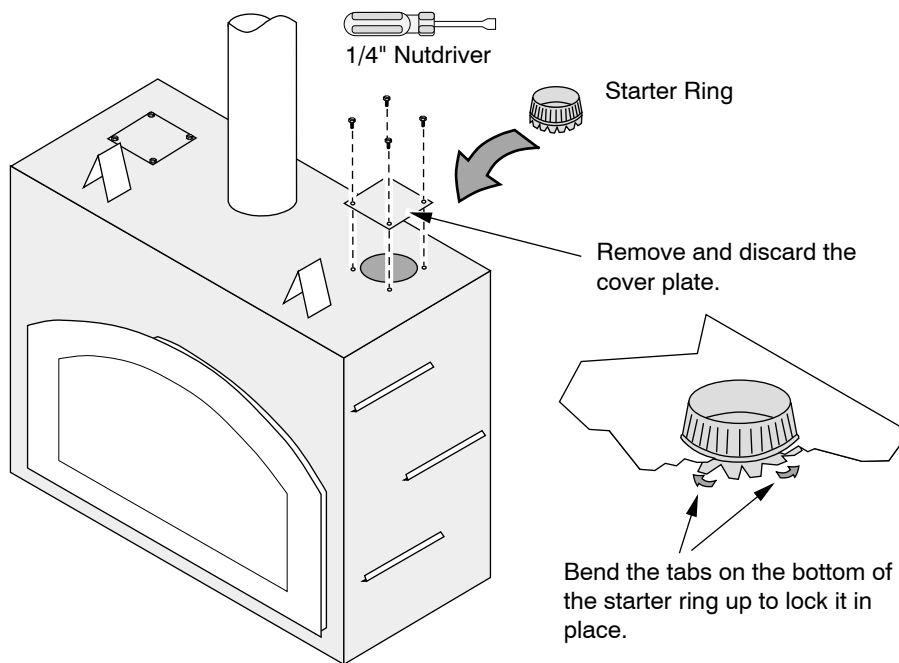
The screws attach to either of these pairs of holes. Use the upper pair for thick flooring, the lower pair for thin flooring.

- c** Slide the blower into the hole cut in step "a". Attach with four screws.



Attaching Duct to Fireplace

Attach the starter ring to the fireplace following the directions below (use the most convenient side - 864TRV has only one opening on the right side).

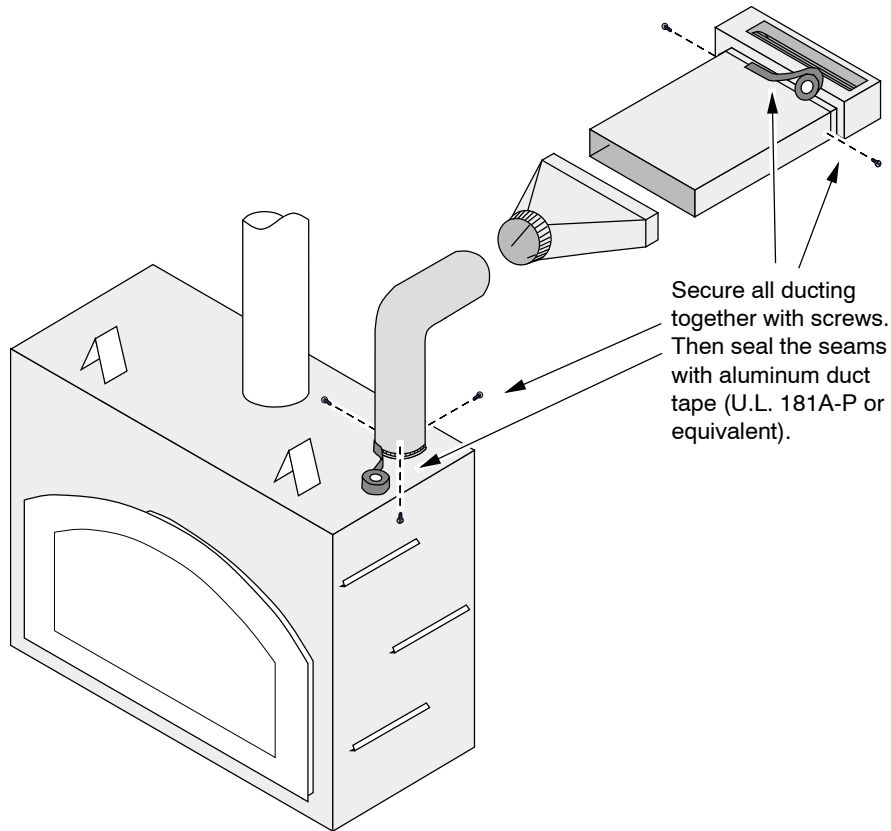




Duct Installation

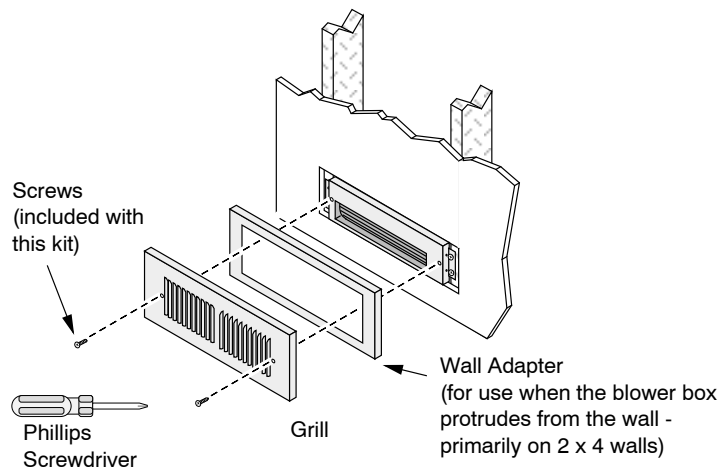
Each duct connection must be secured with three screws and aluminum duct tape (U.L. 181A-P or equivalent). Secure the duct if it is in an area where it may sag or become dislodged (use plumbing strap or other suitable means).

NOTE: The air duct has a 0" clearance to combustibles.



Grill Installation

Attach the grill (and wall adapter, if necessary).



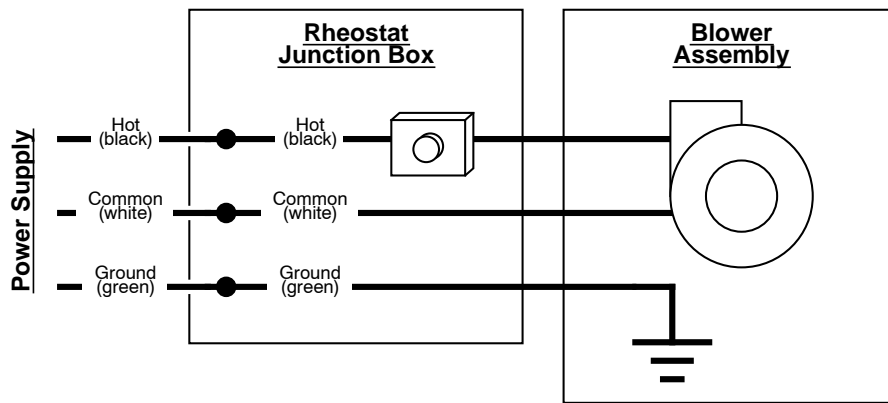


Wiring Instructions

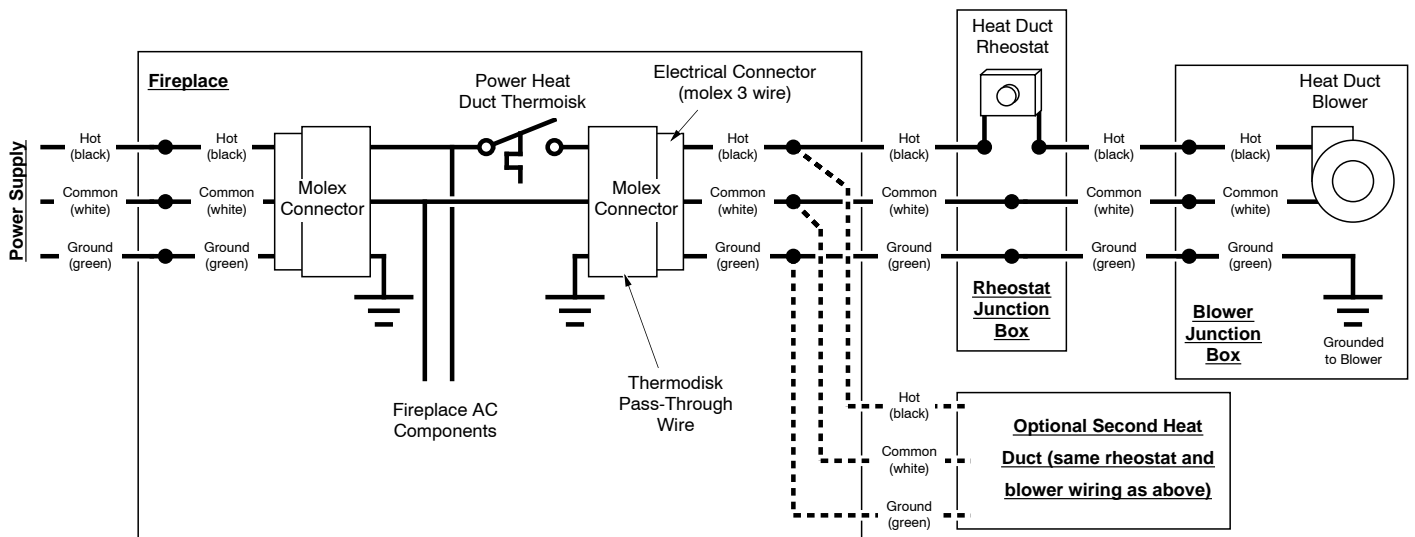
Warning: All wiring should be done by a qualified electrician and shall be in compliance with local codes and with the current National Electric Code ANSI/NFPA 70 (in the U.S.), or with the current CSC22.1 Canadian Electric Code (in Canada).

Warning: Make sure the fireplace electrical circuit is disabled prior to working on electrical hookup.

Wiring Diagram – No Internal Thermodisk (864 TRV & ST)



Wiring Diagram - Internal Thermodisk (864 HO)

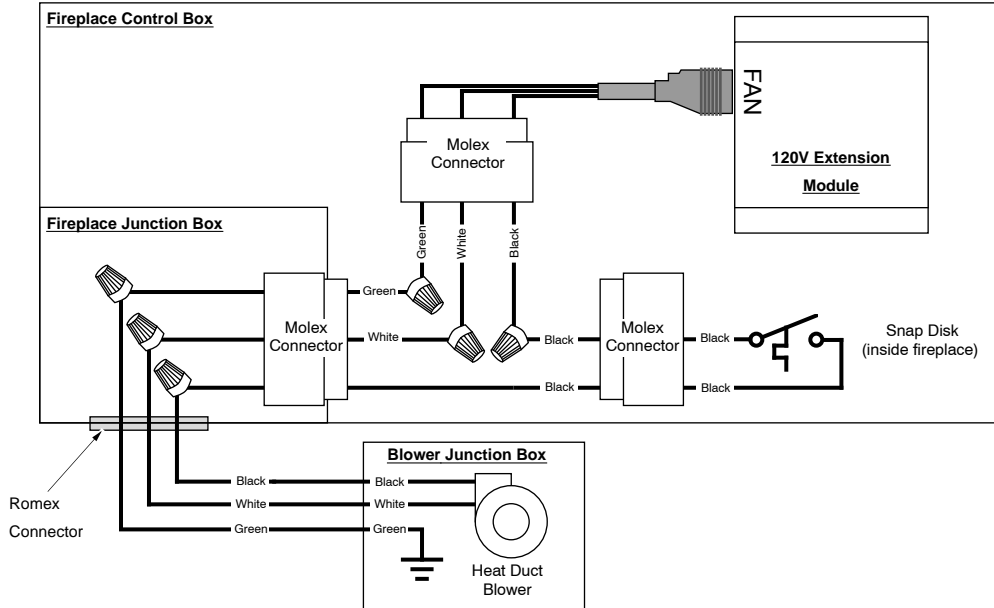




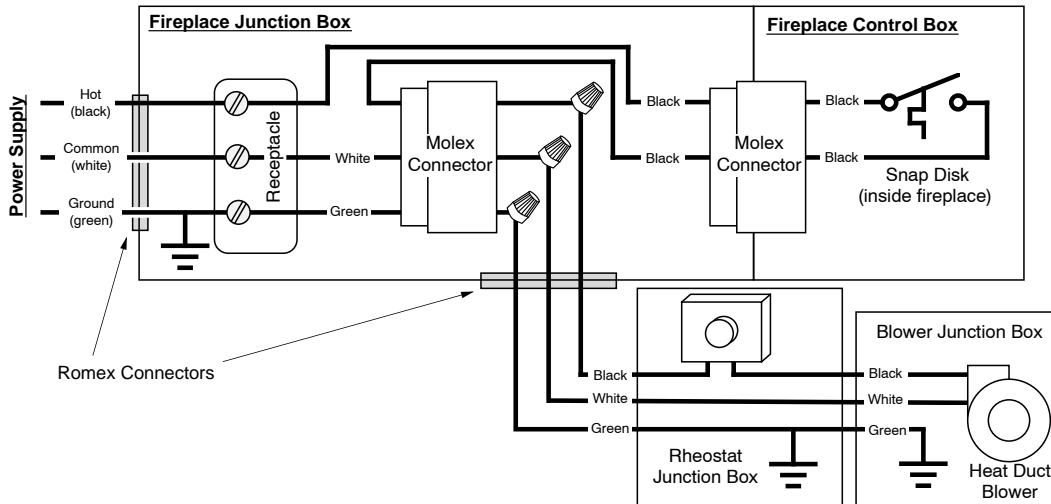
Extra Room Power Heat Duct Instructions

SKU 98500769

Wiring Diagram – Internal Thermodisk Using Extension Module (Xtreme 6020, 36 CF ST/Pier, and 1080 CF)

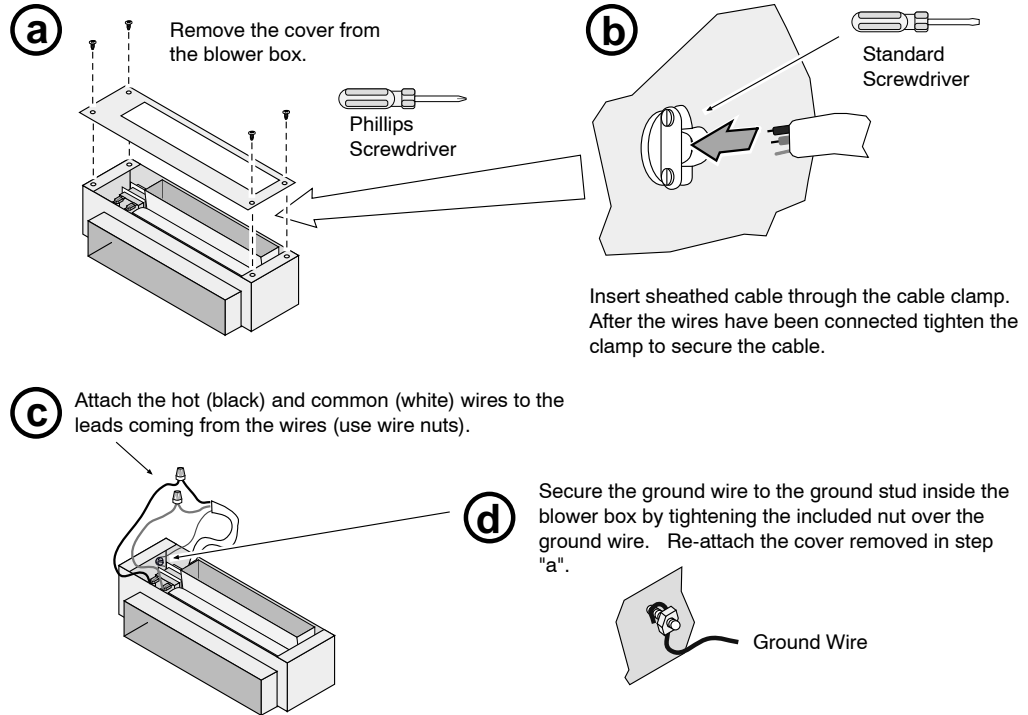


Wiring Diagram - Internal Thermodisk without Extension Module (36 CF ST/Pier and 1080 CF)





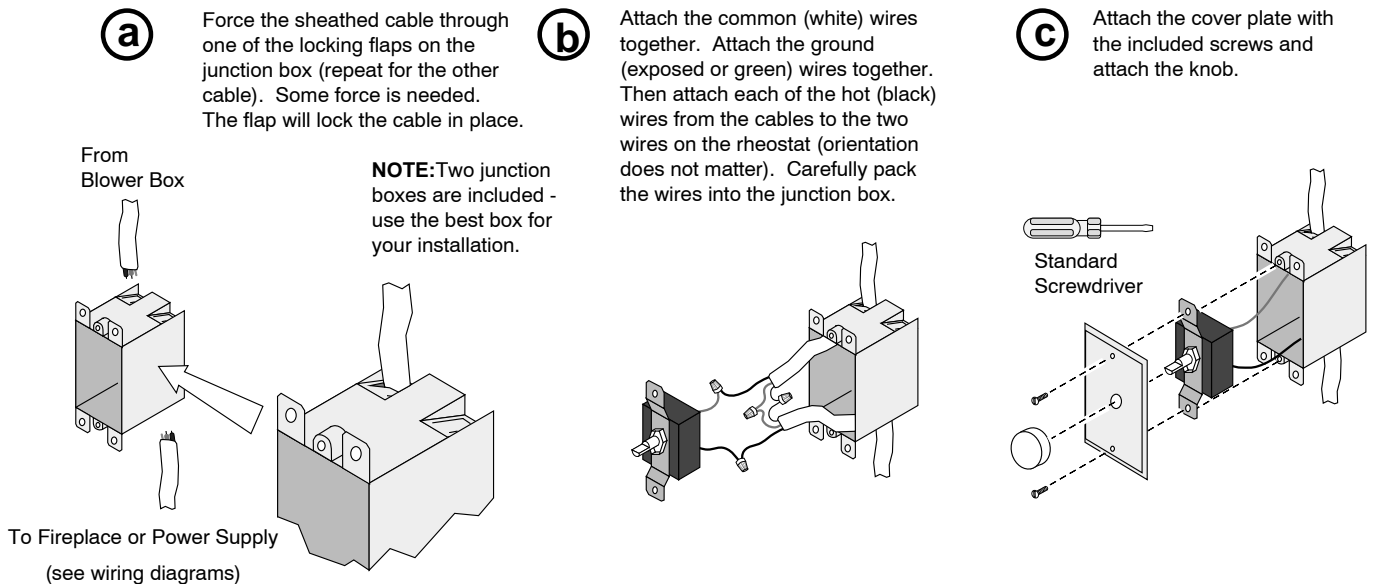
Blower Box Wiring



Rheostat Junction Box Wiring

NOTE: There are two junction boxes included (new construction and retrofit). Use the appropriate junction box for your installation.

NOTE: The Xtreme 6020 is installed without the rheostat (the blower is controlled by the remote). Route the wire from the blower directly to the fireplace.





Fireplace Wiring – No Internal Thermodisk (864 TRV & ST)

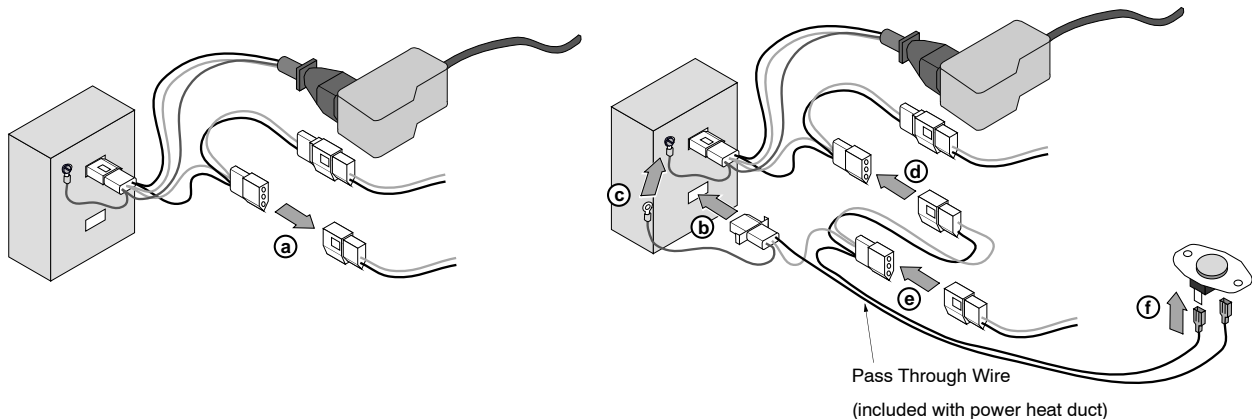
Route the power supply to the rheostat junction box. The power heat duct runs independent of the fireplace electrical circuit.

Fireplace Wiring – Internal Thermodisk (864 HO)

WARNING: Make sure all wiring is secure and does not contact hot or moving components.

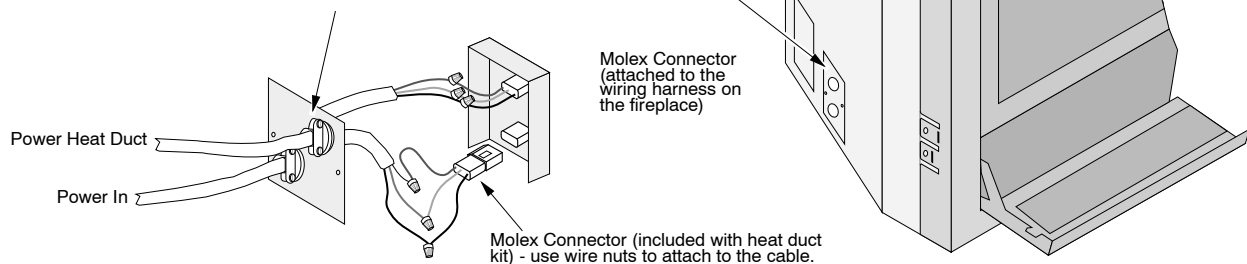
Use the included thermodisk pass-through wire to connect the thermodisk to the junction box.

- (a) Disconnect the accent light molex inside the fireplace.
- (b) Press the locking molex connector on the pass through wire into the slot on the junction box inside the fireplace.
- (c) Attach the grounding tab to the junction box.
- (d) Attach the pass through wire to the molex connector disconnected in step (a).
- (e) Attach the accent light molex to the connector on the pass through wire.
- (f) Attach the pass through wire to the snap disk on the fireplace.



- (g) Attach the romex from the rheostat to the fireplace circuit following the directions below.

A knock-out is provided on the left side of the fireplace for routing the sheathed cable (romex) from the inside of the firebox to the power heat duct. Use the strain relief (included with the power heat duct) to secure the cable.





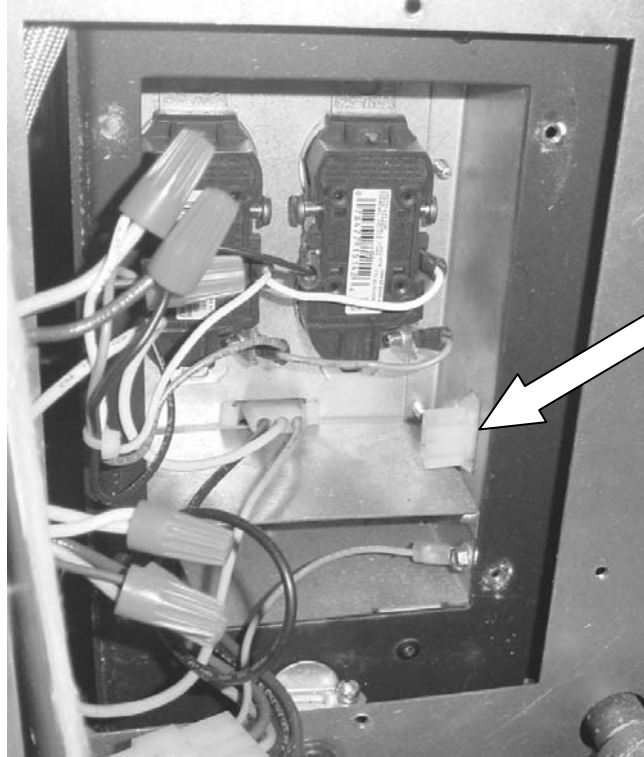
**TRAVIS INDUSTRIES
HOUSE OF FIRE**

Extra Room Power Heat Duct Instructions

SKU 98500769

Fireplace Wiring – Xtreme 6020

The Xtreme 6020 is pre-wired for use with the power heat duct. Route the wire from the blower to the junction box on the fireplace. The wire passes through both cover plates (use the included strain relief on the inner plate). Attach the wire to the supplied molex connector using wire nuts. Then connect the molex connector to the connector on the fireplace (see the arrow below). The blower is controlled by the fan control module inside the fireplace using the included remote control (the blower rheostat is not used).



Fireplace Wiring – 36 CF ST/Pier & 1080 CF (use sku 94400995)

See the instructions included with the 36 CF ST/Pier & 1080 Wiring kit (sku 94400995). The wire from the rheostat is routed to the fireplace where it is controlled by the fireplace 110v circuit.



Operating Instructions

Allow the fireplace to reach normal operating temperature. Then use the wall-mounted rheostat to operate the blower speed.

Fireplaces with Internal Thermodisk (864 HO, Xtreme 6020, 36 CF ST/Pier, 1080 CF)

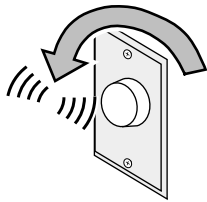
The blower will automatically shut off after the fireplace cools.

Fireplaces without Internal Thermodisk (864 TRV & ST)

Turn the blower off when the fireplace is not in operation.

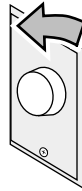
OFF

Turn the dial all the way counter-clockwise until it clicks off.



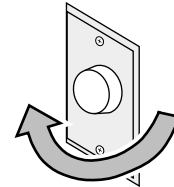
HIGH

The high position is all the way counter-clockwise, **without** clicking off.



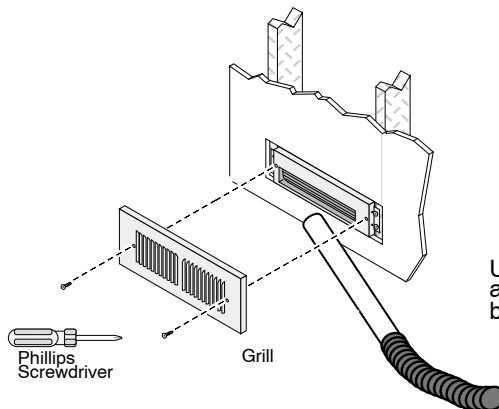
LOW

Turn the dial all the way clockwise.



Maintenance Instructions

Once a year the grill should be removed and the blower area cleaned. Use a vacuum to clean around the squirrel-cage blower, being careful not to damage any of the blades.



Use a vacuum cleaner to remove any debris from the power vent blower.