

Check Condition Of Shipment

Upon receipt of this kit, check the condition of the packaging. Damage to the package should be noted on the carrier's freight receipt. Any damage claims as a result of shipping must be handled through the shipper. Travis Industries will provide assistance in resolving shipping claims or replacing items not included in the package. Please report any missing items immediately.

Compatibility

- Avalon Chelan (700) BV (s. #6000 or greater)
- Avanti BV (s. #4052 or greater)
- Lopi Spirit BV (s. #4602 or greater)
- Avalon 900 PS & PI
- Lopi Fox Fire PS & PI
- Newport (Avanti) PS & PI
- Pioneer (Heritage Bay) PS & PI
- Yankee PS
- Asotria PS

Items Needed For Assembly

- Drill
- Saw (for cutting hole in wall)
- Screwdriver
- Silicone Sealant
- Knife or Snips to Cut Flex Hose

Packing List

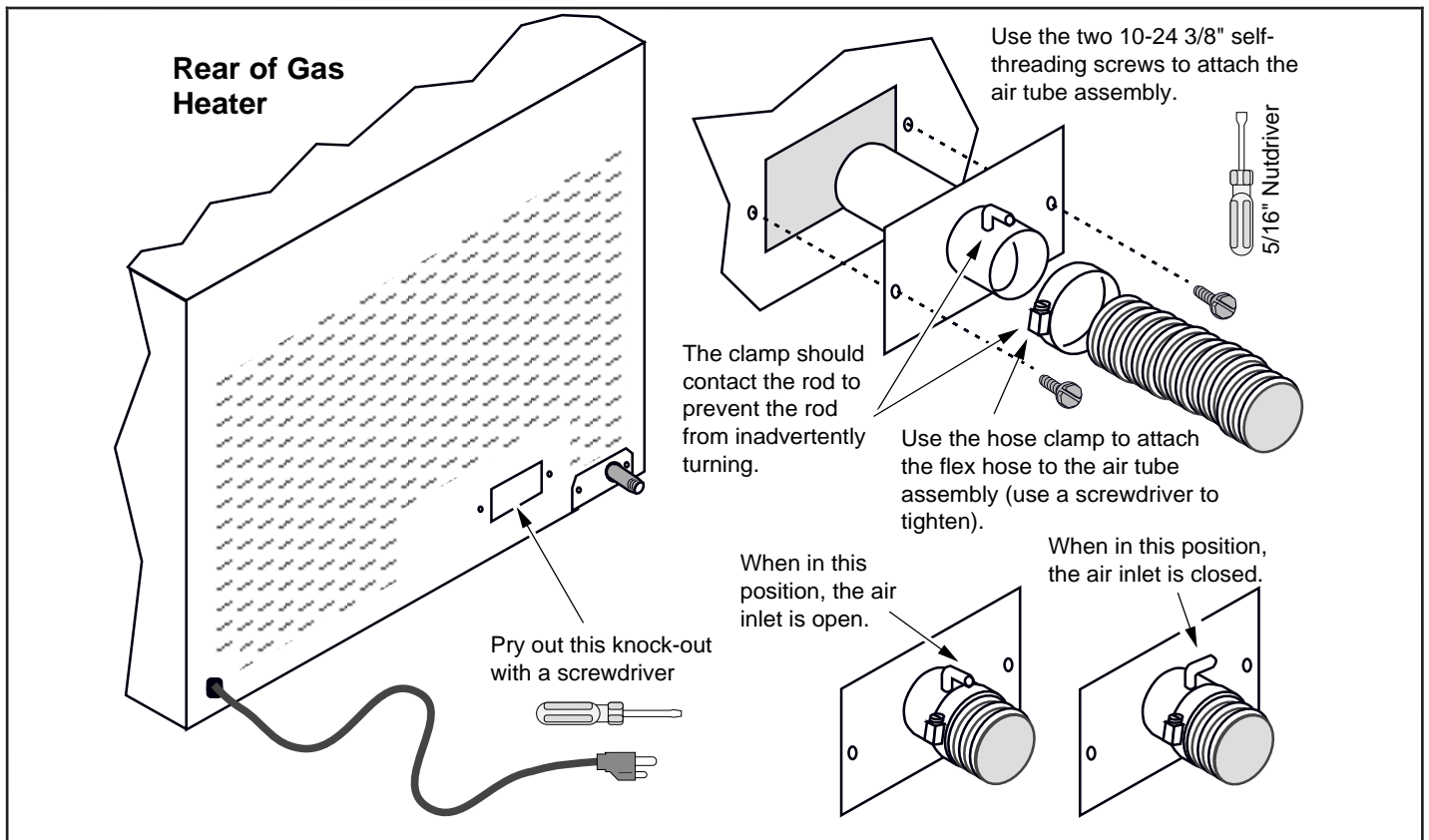
- Air Tube Assembly
- Flex Hose (18" Long)
- 3 Hose Clamps
- Wall Cover Plate
- Hood
- Two 10-24 3/8" Self-Threading Screws
- Six #12 3/4" Phillips Screws
- Two #8 3/8" Phillips Screws

Gas Stove Installation Instructions

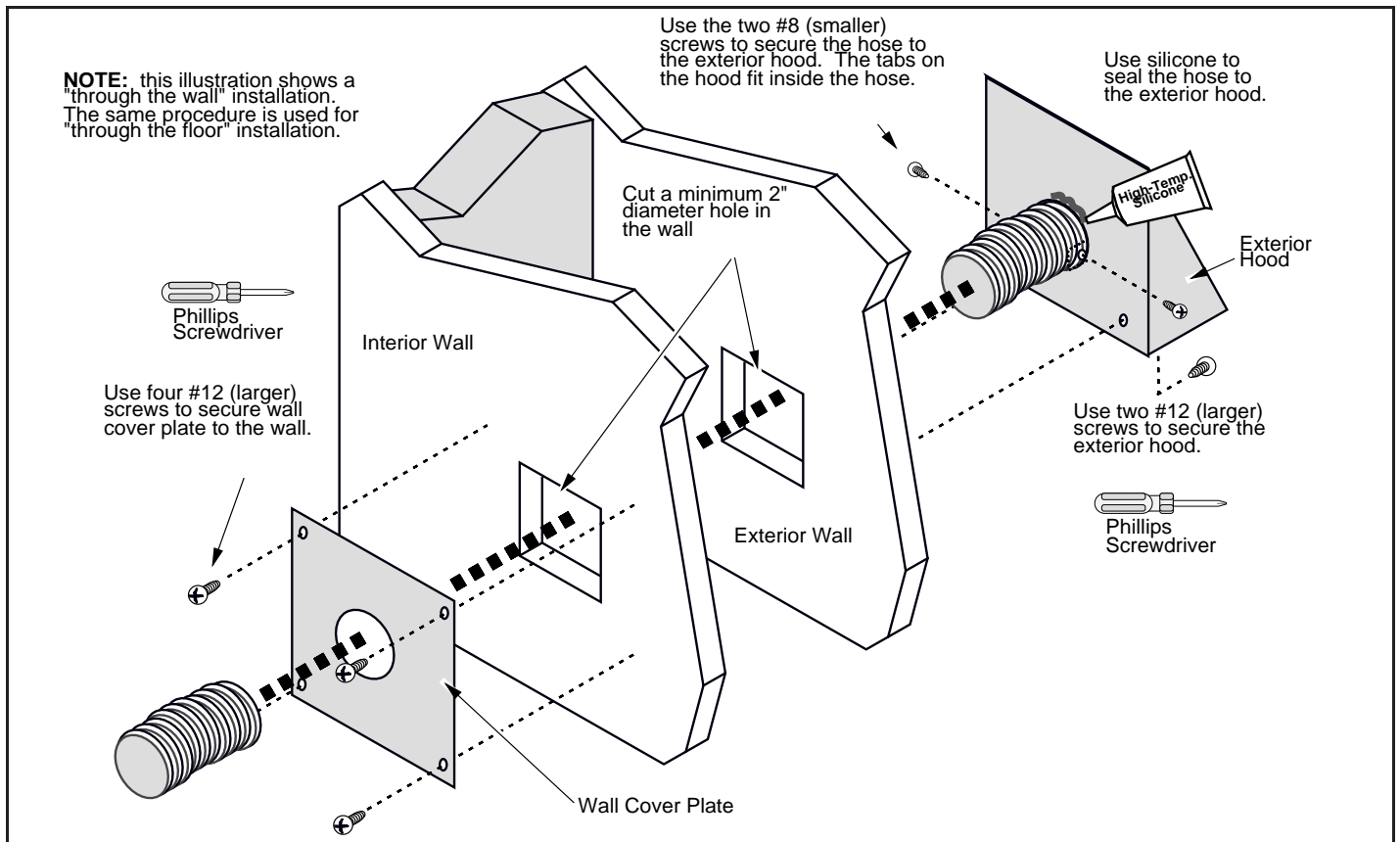
Pry out the 2" x 3" knock-out on the rear of the heater with a standard screwdriver. Place the air tube assembly into the opening created by the removal of the knock-out, (the long tube protrudes inwards). Attach the air tube assembly to the heater with the two 10-24 3/8" self-threading screws (use a 5/16" nutdriver or screwdriver). Attach the flex hose to the air tube assembly with the included hose clamp (use a screwdriver to tighten). The clamp should contact the rod to prevent the rod from inadvertently turning.

Important Operation Note:

The air tube assembly has a butterfly valve that may be used to shut off outside air. When the control rod is pointing outwards, it is in the full open position (see the illustration below). When pointing to the side, it is in the closed position.

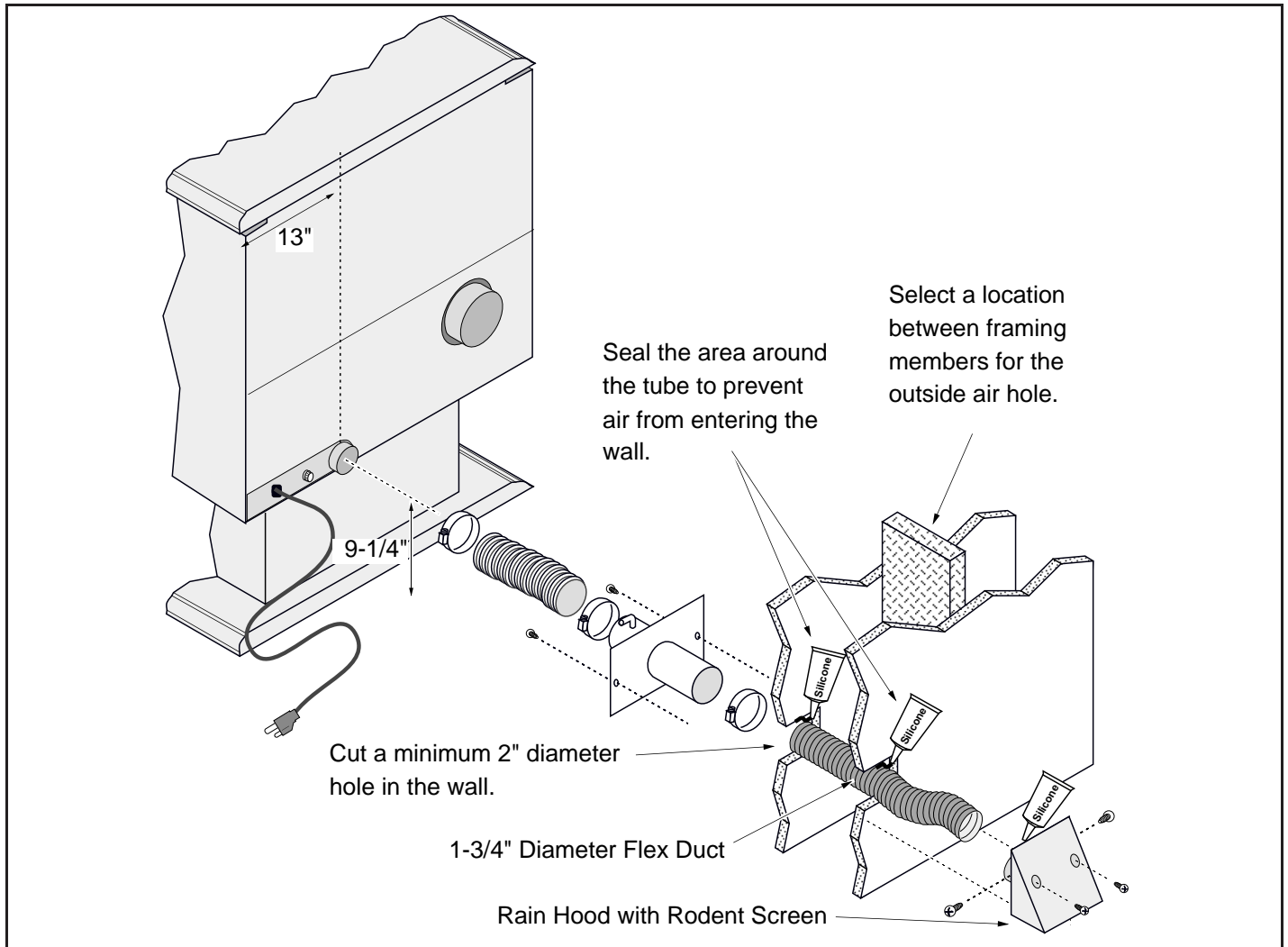


2. Determine a location for passing the hose through the exterior wall or floor. Air must not be drawn from an enclosed space (garage, unventilated crawl space). If passing through a wall, find a location between wall studs that will not become blocked by snow, leaves, or other debris. If passing through the floor, find a location between floor joists.
3. Make a min. 2" diameter hole through the floor or wall for the hose (see the illustration below).
4. Center the wall cover plate over the hole (on the interior side) and secure it in place using four of the #12 3/4" phillips screws.
5. Pass the hose through the wall or floor. Cut the hose so it protrudes approximately 3" from the hole.
6. Align the hood over the hose (if horizontal, make sure the open side is down so it sheds water). Attach the hose to the exterior hood with the two #8 3/8" phillips screws. The tabs on the hood fit inside the hose. Seal the connection between the hose and exterior hood with silicone.
7. Push the exterior hood to the wall or floor and secure it with the two remaining #12 3/4" phillips screws.



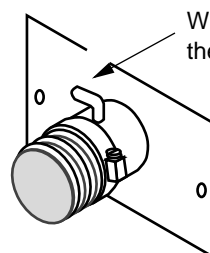
Pellet Stove Installation Instructions

1. Determine a location for passing the hose through the exterior wall or floor. Air must not be drawn from an enclosed space (garage, unventilated crawl space). If passing through a wall, find a location between wall studs that will not become blocked by snow, leaves, or other debris. If passing through the floor, find a location between floor joists.
2. Install the outside air kit following the directions below.

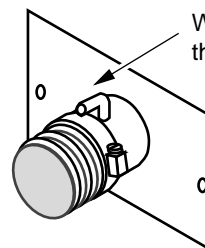


Operational Note

The air tube assembly has a built in butterfly valve. This valve can be used to shut off air to the appliance when the heater is not in use.



When in this position, the air inlet is closed.



When in this position, the air inlet is open.