



Packing List

- Rear Fireback
- (2) Side Firebacks

STAINLESS STEEL WARNINGS

HANDLING THE FIREBACKS: The stainless steel firebacks are shipped in vinyl to prevent marring the surface of the stainless steel. Remove the vinyl prior to installation. **Wear clean gloves when installing the firebacks** to prevent fingerprints on the surface (or use a rag or paper towel to handle the firebacks).

COLORATION AND CLEANING: These stainless steel firebacks will obtain a slight “patina” (brown tint) after use. Do not clean the firebacks. This patina becomes consistent. Any cleaning may lead to unequal coloring. If soot forms on the fireback, we recommend brushing it off with a soft cloth or brush.

Cleaning Enamel Firebacks

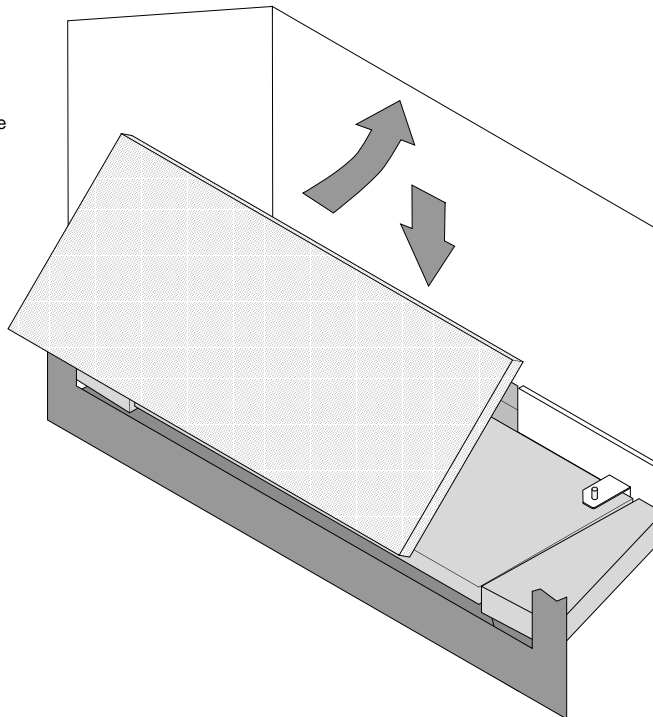
We recommend cleaning the enamel surface with glass cleaner and a soft cloth.

Installation

WARNING Turn off gas to the appliance and make sure it has fully cooled prior to conducting service.

- 1 Remove the glass frame and logs (see the manual for details).
- 2 On the DVL GSR, bend the accent light down. On the 33 DVI, remove the back air shield (see “LP Conversion Instructions” in the manual for details) – replace the back air shield after firebacks are in place.
- 3 Install the rear fireback (see the directions below).

Slide the top of the fireback behind the baffle and pivot into place. It rests on the shelf at the back of the firebox.



- 4 On the DVL GSR, return the accent light to the correct configuration.



DVL GSR / 33 DVI SS/Enamel Firebacks

SKU # 96100155 Black Enamel

96100158 Stainless Steel

- 5 Install the side firebacks following the directions to the right.
- 6 Replace the burner and restore the appliance to the correct configuration.

