

## CHECK CONDITION OF SHIPMENT

Upon receipt of this kit, check the condition of the packaging. Damage to the package should be noted on the carrier's freight receipt. Any damage claims as a result of shipping must be handled through the shipper. Travis Industries will provide assistance in resolving shipping claims or replacing items not included in the package. Please report any missing items immediately.

## COMPATIBILITY

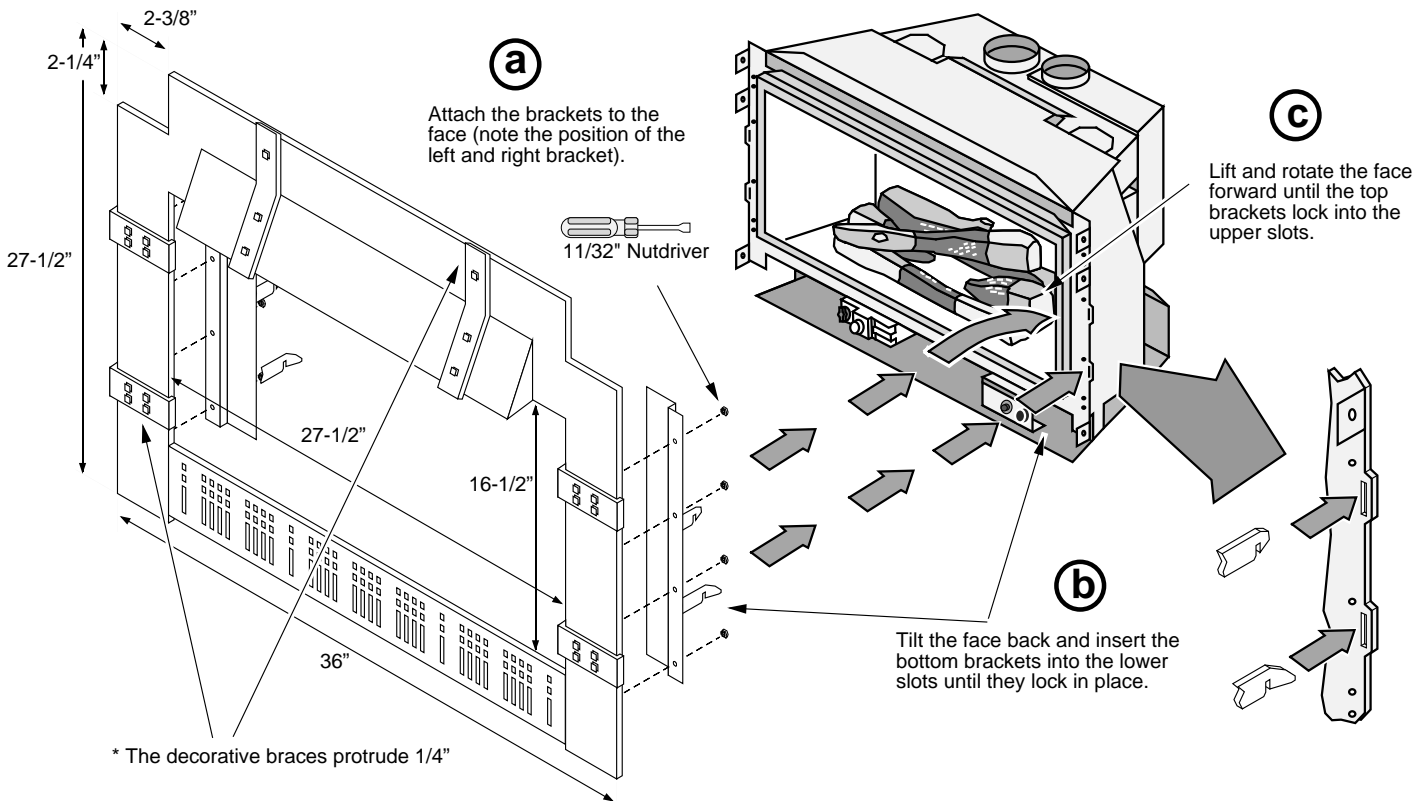
- Travis Ind. DVL Insert
- Travis Ind. DVL Fireplace

## PACKING LIST

- Face
- Face Mounting Brackets
- (8) Nuts
- Pull Tool

## INSTALLATION INSTRUCTIONS

- ! Turn the gas control valve to "OFF" prior to conducting any service.
- 1 The log set, coals, and glass must be installed prior to installing the face (on the DVL Insert, the panels must be installed as well).  
**DVL Fireplace Note:** Leave the face angle in the angled-down position.
  - 2 Attach the face mounting brackets to the face (see the illustration below).
  - 3 Attach the face to the heater following the directions below.



## OPENING THE CONTROL DOOR

! The face becomes extremely hot during operation. To avoid burns, use the included pull tool to open the control door. Make sure the homeowner knows how to use this tool.

