

## CHECK CONDITION OF SHIPMENT

Upon receipt of this kit, check the condition of the packaging. Damage to the package should be noted on the carrier's freight receipt. Any damage claims as a result of shipping must be handled through the shipper. Travis Industries will provide assistance in resolving shipping claims or replacing items not included in the package. Please report any missing items immediately.

## COMPATIBILITY

Avalon Rainier-90's (990) with Serial Number 4076 or Larger

Avalon Olympics (1190) with Serial Number 9760 or Larger

## TOOLS REQUIRED

- Large Screwdriver
- 9/16" Wrench
- 7/16" Wrench

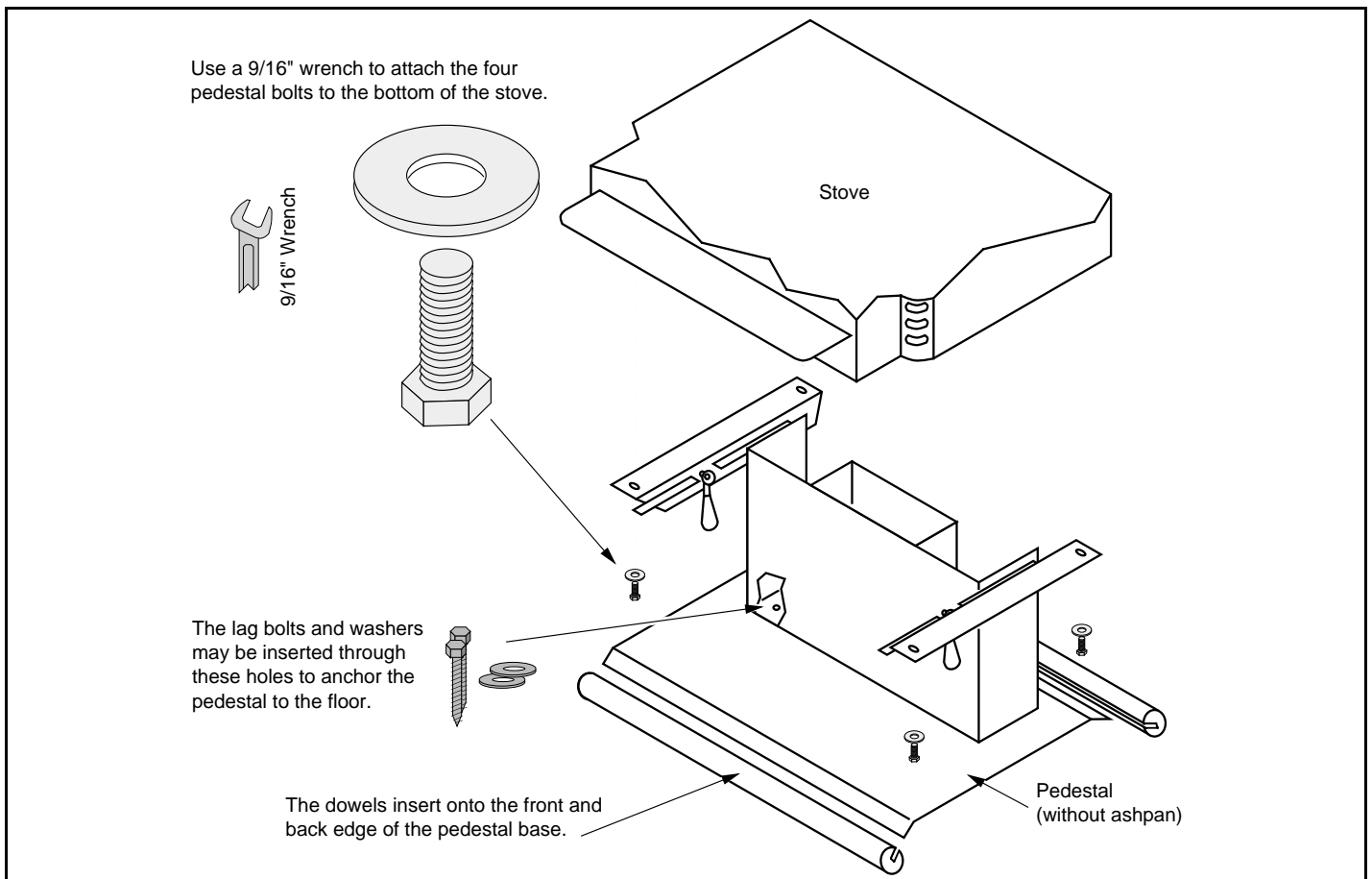
## PACKING LIST

- Pedestal
- Ashpan
- Four 3/8"x3/4" Bolts & Washers
- Four Bricks (only two are used - see the instructions below)
- Drop Chute
- Stove Gasket Cement
- Two Dowels
- Two Lag Bolts, Washers
- Drop Chute Gasket
- Outside Air Equipment (Rodent Screen, Staples, Cover Plate, Insulation)

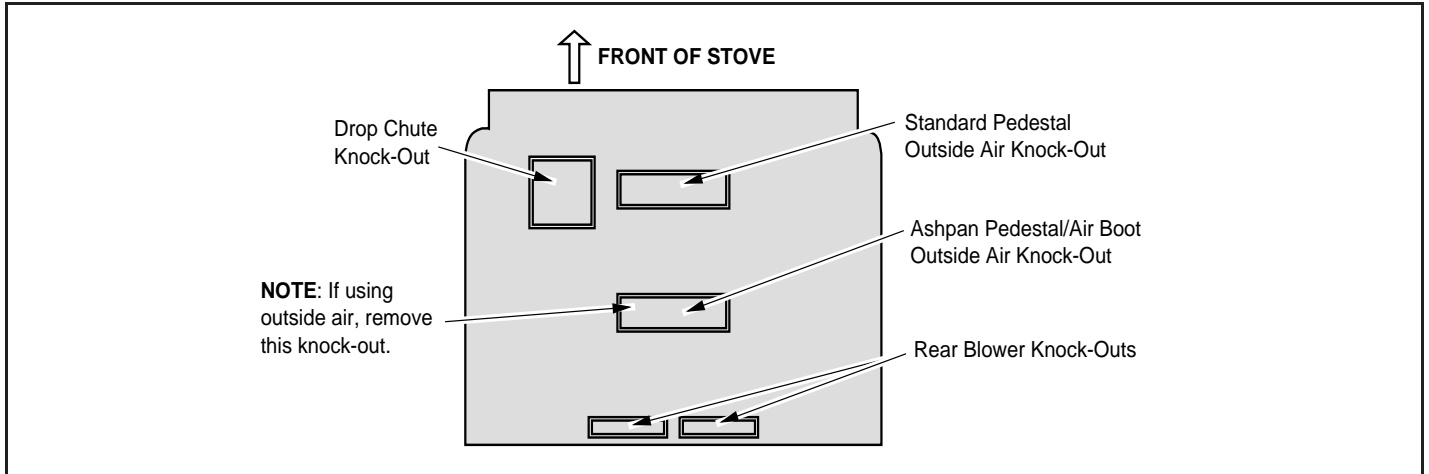
## INSTALLATION INSTRUCTIONS

? If using outside air, see "Outside Air Installation" on page 4 & 5 of these instructions.

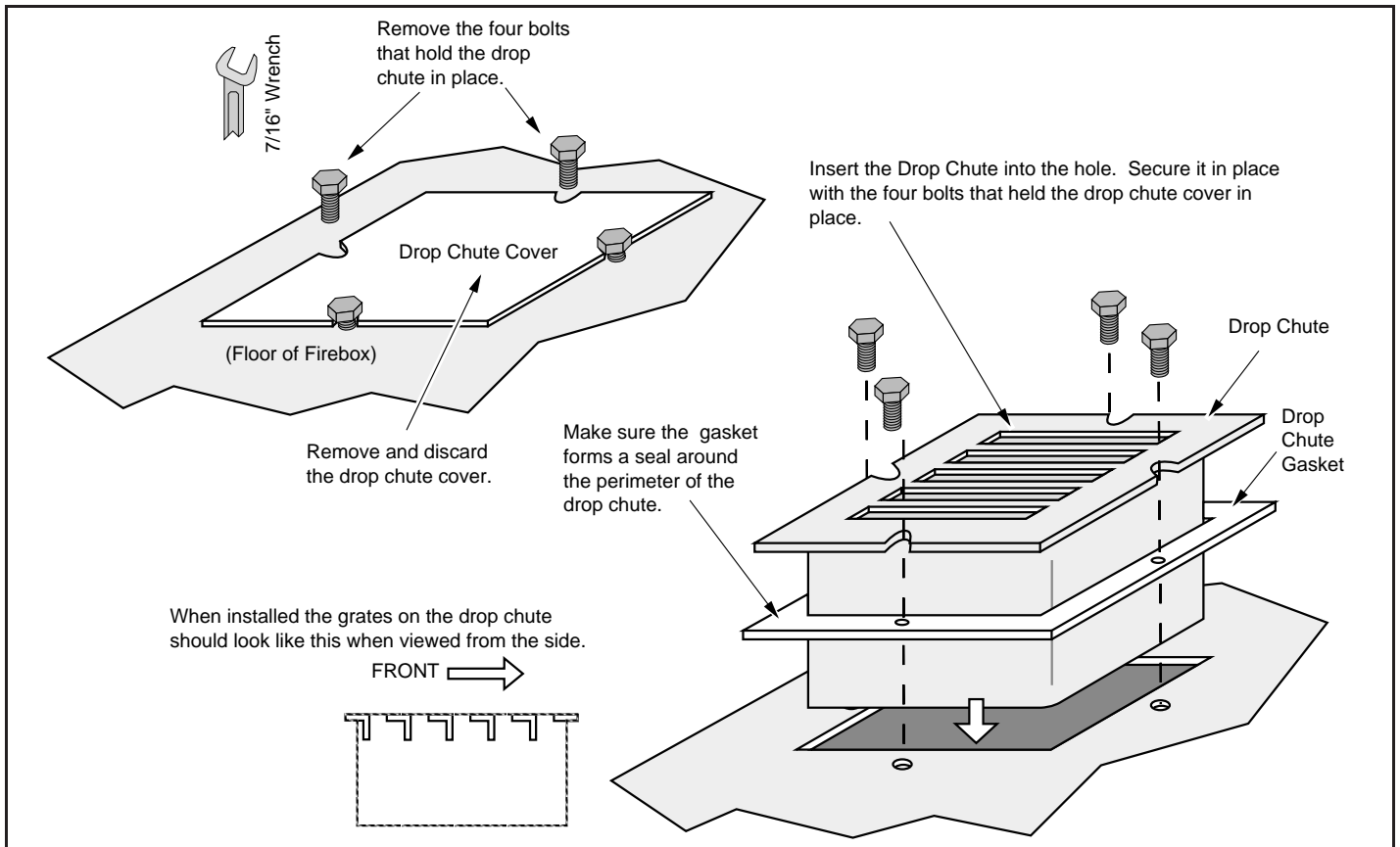
- 1 Place the pedestal into position on the floor protection. Lift the pedestal up and insert the two dowels included with this kit onto the forward and rear edge of the pedestal base. Lift the stove onto the pedestal base (with the ashpan removed). Line up the press-nuts on the bottom of the stove with the two attachment brackets on the pedestal. Insert the four bolts, with washers, through the brackets on the pedestal and into the stove. Tighten the bolts with a 9/16" wrench.



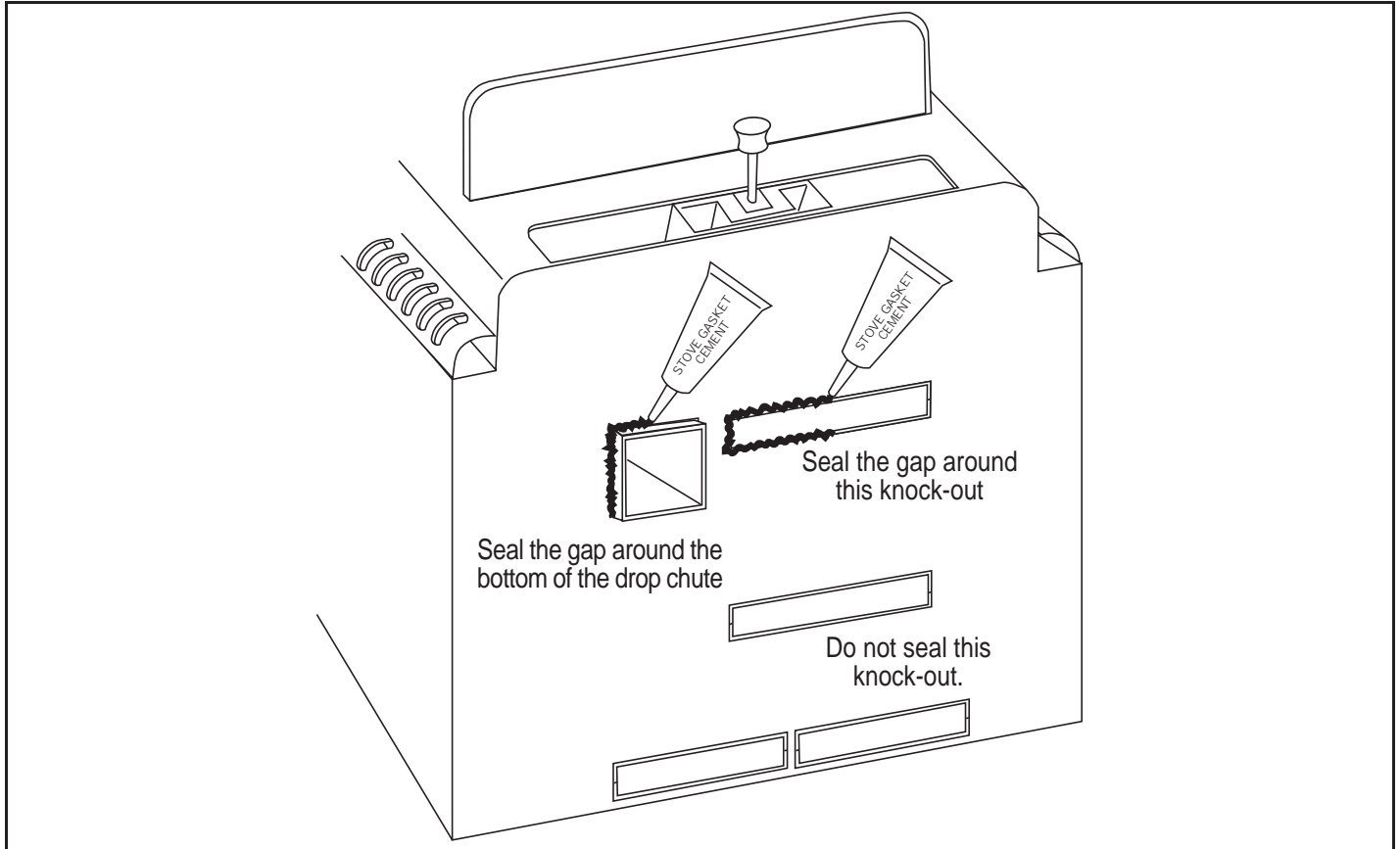
**2** Pry out the drop chute knockout with a large screwdriver.



**3** Open the door to the stove and remove the floor firebricks on the left side. Locate the drop chute cover on the floor of the firebox. Remove the four bolts that secure it with a 7/16" wrench. Remove the cover and the gasket below it. Insert the drop chute gasket around the drop chute. Then insert the drop chute through the hole in the firebox floor. Position the drop chute so the slots run side to side. Replace the four bolts to secure the drop chute.

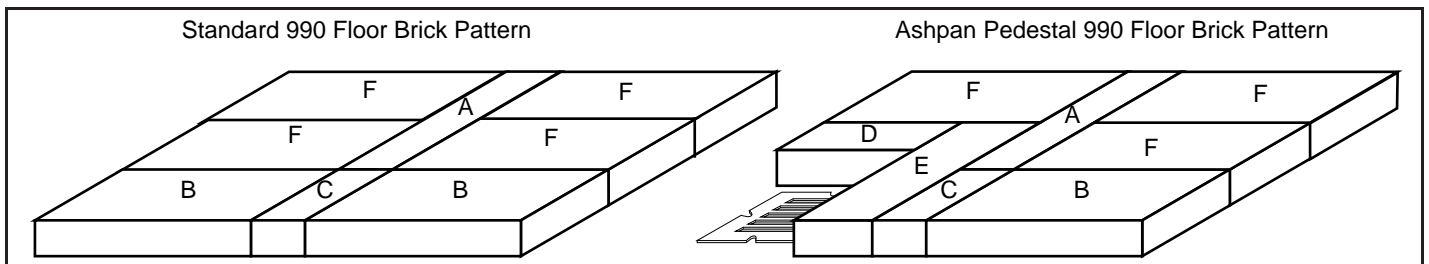


- 4** Seal the area around the knock-out for outside air on standard pedestals (the 2" x 7" forward center knockout - see the illustration below) with stove gasket cement (knead the cement inside the tube prior to applying). Smooth the cement so it is flush with the baseplate. Seal the area around the drop chute in the same manner.



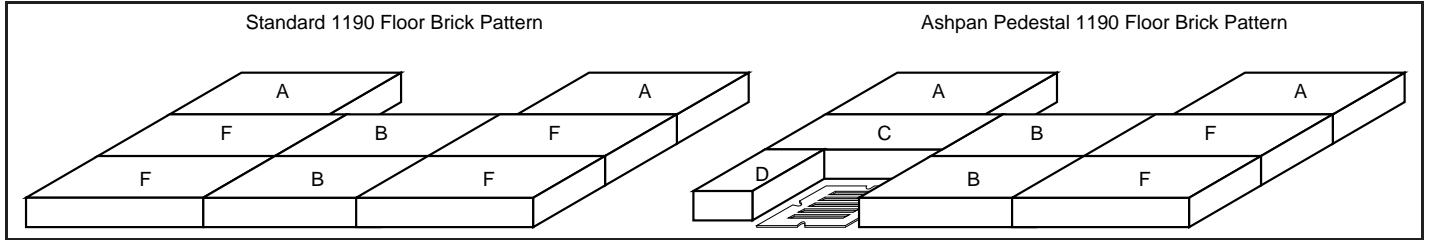
- 5** For 990's, follow step 5a. For 1190's, follow step 5b.

- 5a** This kit includes four bricks. Locate the 6" x 2-1/8" and 2-7/8" x 8-1/4" bricks, they are used for the 990. The other two bricks may be discarded. Use the bricks inside the firebox, along with the two bricks for the 990, to form the brick pattern shown below (NOTE: you will have two extra bricks - these bricks may be discarded).



Brick	Size
A	9" x 1-5/8"
B	9" x 3-15/16"
C	1-3/4" x 3-15/16"
D (included with ashpan pedestal)	6" x 2-1/8"
E (included with ashpan pedestal)	2-7/8" x 8-1/4"
F	Full (9" x 4-1/2")

**5b** This kit includes four bricks. Locate the 9" x 3-3/4" and 4-1/2" x 2-5/8" bricks, they are used for the 1190. The other two bricks may be discarded. Use the bricks inside the firebox, along with the two bricks for the 1190, to form the brick pattern shown below (NOTE: you will have two full-size bricks remaining - these bricks may be discarded).



Brick	Size
A	8-1/4" x 4-1/2"
B	6-3/8" x 4-1/2"
C (included with ashpan pedestal)	9" x 3-3/4"
D (included with ashpan pedestal)	4-1/2" x 2-5/8"
F	Full (9" x 4-1/2")

**6** Follow the directions titled "Avalon Ashpan Operating Instructions" (on pages 6 & 7 of these instructions) for installing & removing the ashpan.

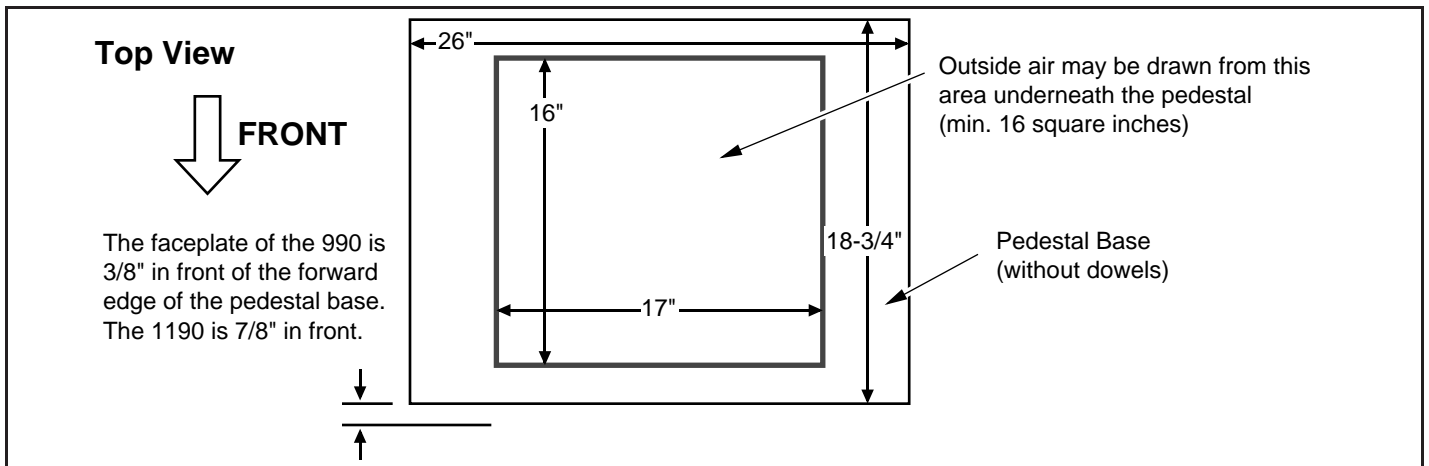
## Outside Air Installation

This pedestal has an internal air duct that may be used to direct air to the combustion chamber. **Follow the directions below prior to installing the stove or attaching the pedestal.**

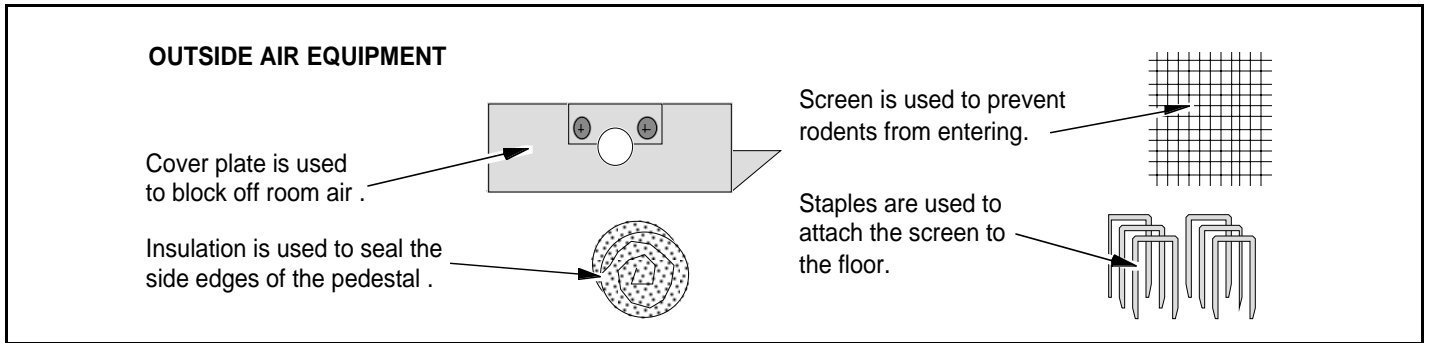
**!** Outside air is required for mobile home installations and in certain localities.

+ Read the section "Outside Air Requirements" in the owner's manual prior to installing outside air.

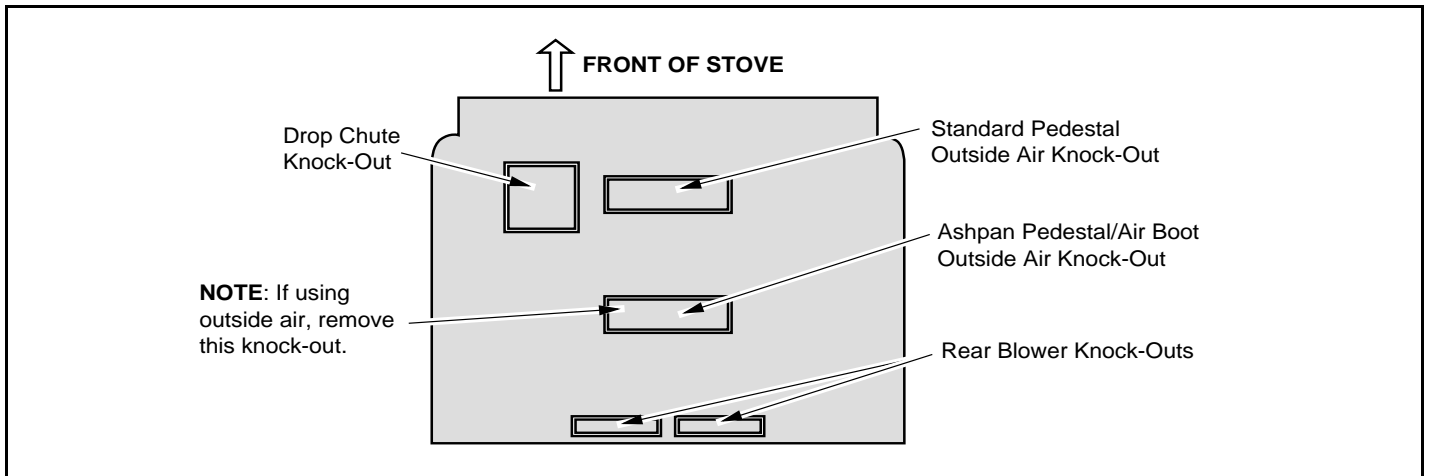
**1** Before placing the stove on pedestal, determine the location of the hole that is cut through the floor protection and floor. The illustration on the following page details the location where this hole may be cut in relation to the faceplate of the stove. Cut a hole at least 16 square inches in area that does not interfere with structural members of the home.



- 2** Place the included screen (or other screen) over the hole to act as a rodent barrier. It may be attached above or below the floor. Secure the screen with the included staples.

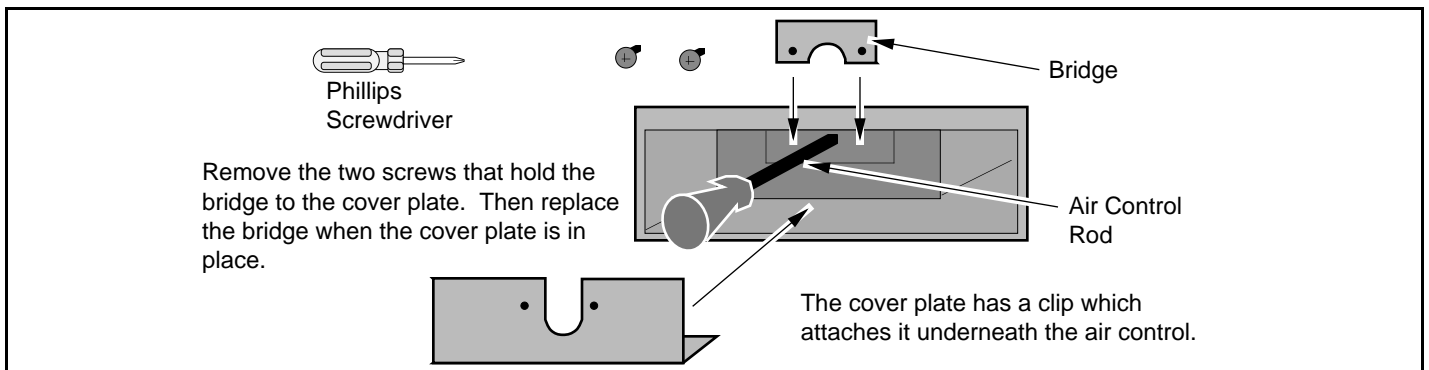


- 3** Prop the front of the stove up 12" and pry out the ashpan pedestal knockout with a large screwdriver.



- 4** Follow the instructions on pages 1 through 4 of this instruction sheet for installing the ashpan pedestal. With the pedestal in place, tuck the insulation included with the pedestal underneath the side edges of pedestal to seal off any air from entering underneath the pedestal.

- 5** The cover plate seals the area around the air control rod. Remove the two screws and bridge from the cover plate. Slide the cover plate underneath the air control rod and re-attach the bridge.



# Avalon Ashpan Operating Instructions

## WARNINGS:

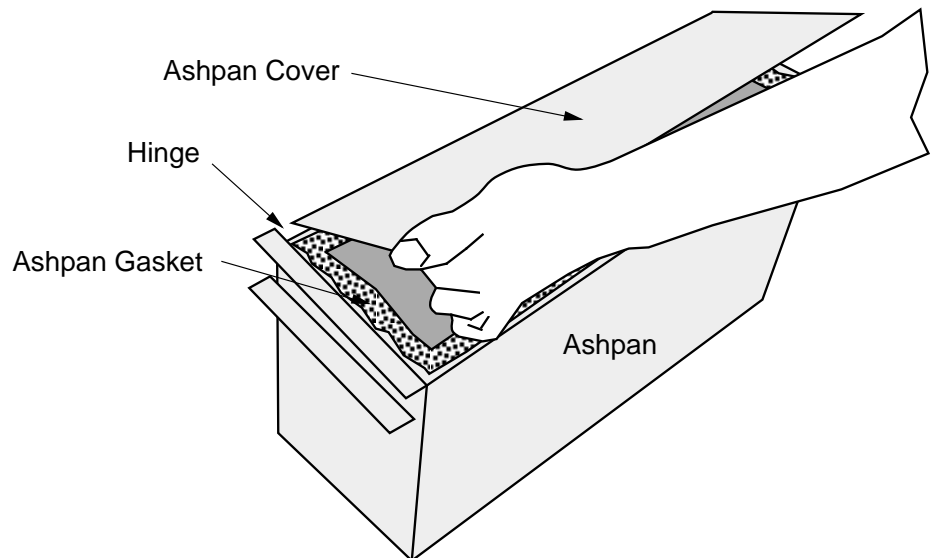
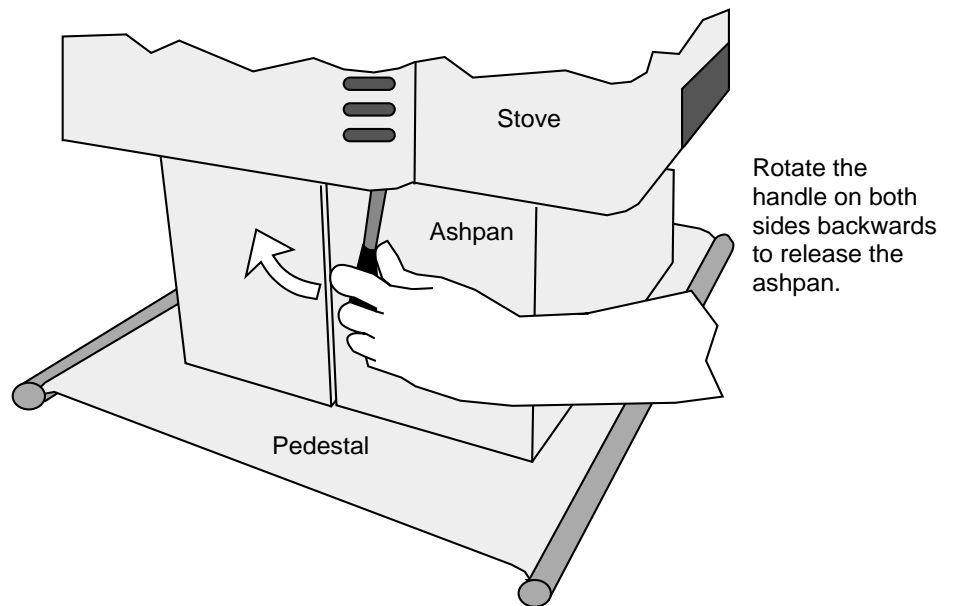
- ! Do not remove the ashpan when the stove is hot or while it still has burning coals or wood.
- ! Do not operate the stove when the ashpan is removed or loose.
- ! Whenever the ashpan is removed, inspect the gasket on the ashpan to make sure it is intact.
- ! Ashes must be completely cool before disposal. The ashpan, or other non-combustible container with a sealing lid, may be used to contain the ashes until they are completely cool. The container must be placed on a non-combustible surface while ashes are still warm. If burying the ashes, dispose of them away from any structure in soil that does not contain flammable material (pine needles, branches, etc.).

## WHEN TO EMPTY THE ASHES

- + Ashes inside the firebox may be pushed into the drop chute whenever ashes start to pile up. Empty the ashpan once the ashpan fills 3/4 full. Depending upon the wood used and how thoroughly the wood is burned, you may burn 1/4 to 3/4 of a cord of wood before the ashpan requires emptying.

## REMOVING THE ASHPAN

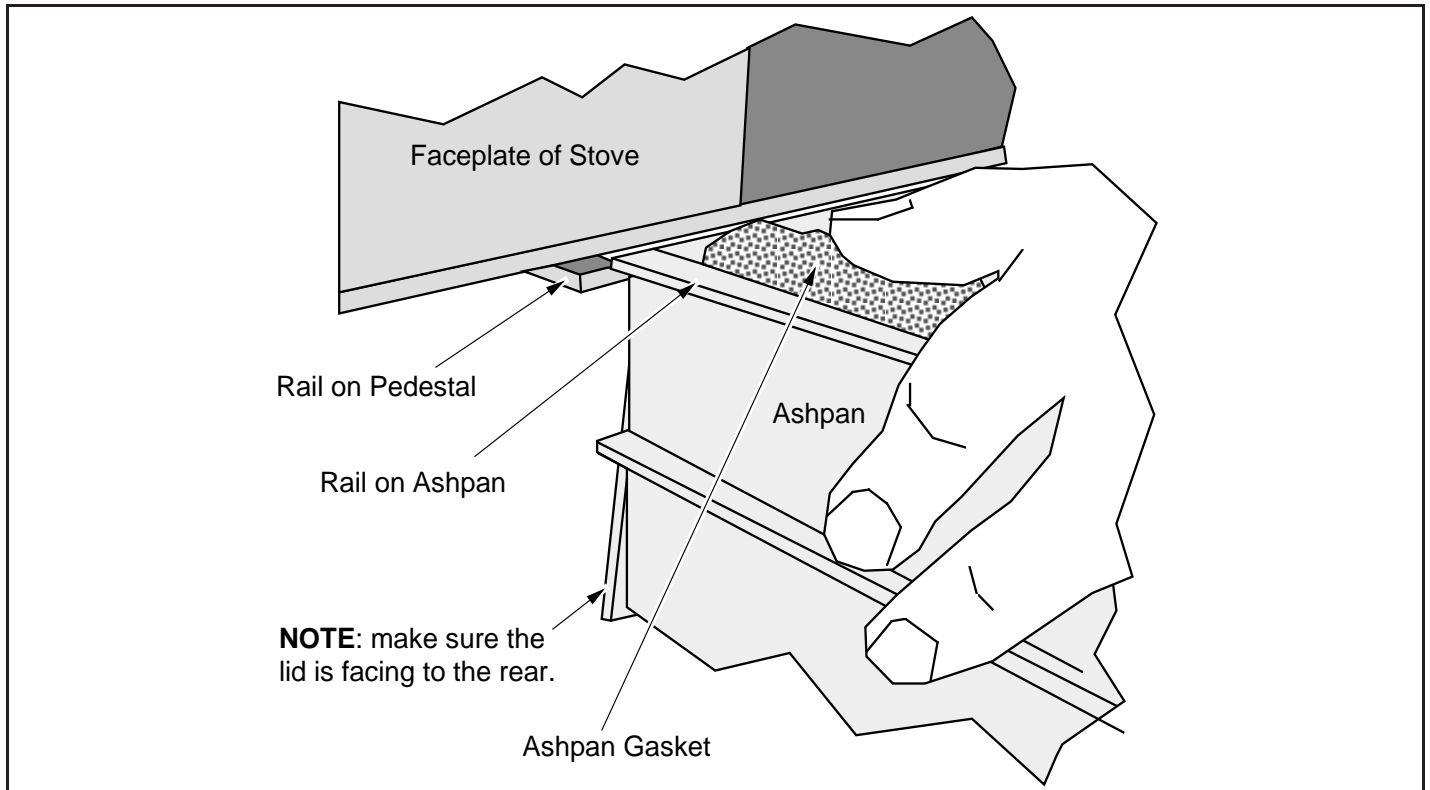
- 1 With the stove cool, reach along both sides of the ashpan and rotate the two handles backwards.
- 2 Slide the ashpan forward and away from the stove.
- 3 Flip the ashpan cover over the ashpan to seal the ashes inside. All ashes must be completely cool before disposal. The ashpan, or other non-combustible container, may be used to contain the ashes until they are completely cool. If burying the ashes, dispose of them away from any structure in soil that does not contain flammable material (pine needles, branches, etc.).



# Avalon Ashpan Operating Instructions

## REPLACING THE ASHPAN

- 1** Inspect the gasket on top of the ashpan. It must be intact and in place. If it is not, contact your dealer for a replacement gasket. Swing the ashpan cover so it is behind the ashpan.
- 2** Slide the ashpan with the lid towards the rear into its holder on the pedestal. The ashpan has a rail on each side that slides over a rail on the pedestal. Slide the ashpan all the way in.



- 3** Rotate the handles on both sides of the pedestal forward. The handles, when rotated, compress the ashpan against the stove and create an air-tight seal between the ashpan and stove. If you do not feel the handles compress, check alignment of the ashpan.