



# 864TRV GS – 564 SS GS

## Blower Installation Instructions (sku 99000162)

### Packing List

- (2) Blower Assemblies (1 left, 1 right)
- Wiring Harness
- Rheostat
- Snap Disc
- (4) Brass Bushings
- Rheostat Nut
- Rheostat Knob
- (4) #8 x 3/4" Screws

### Installation

**WARNING:** Make sure power to the fireplace has been shut off prior to installation (disable the service breaker).  
Do not connect 110-120 VAC to the gas control valve or wiring system of this fireplace.

**HINT:** It is easier to install the blower prior to connecting the gas line. If using the Greensmart™ remote, install it after the blowers are in place.

- 1 Remove the concealment cover (see Figure 1).



Figure 1

- 2 Unscrew the four screws holding the control cover in place (see Figure 2). Carefully remove the control cover and place it aside (leave the wiring intact - see Figure 3)

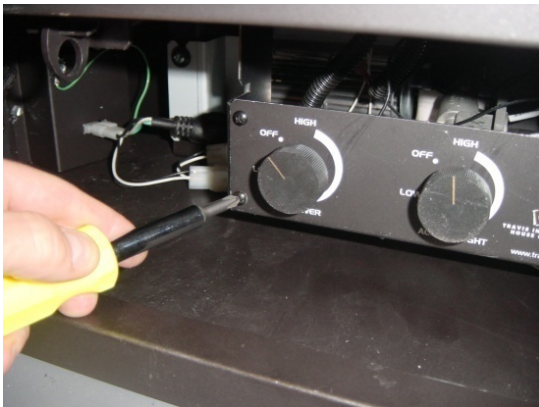


Figure 2



Figure 3



# 864TRV GS – 564 SS GS

## Blower Installation Instructions (sku 99000162)

- 3 Insert the brass bushings into the rubber grommets on the vertical brackets on the blower assemblies (both sides – see Figure 4).

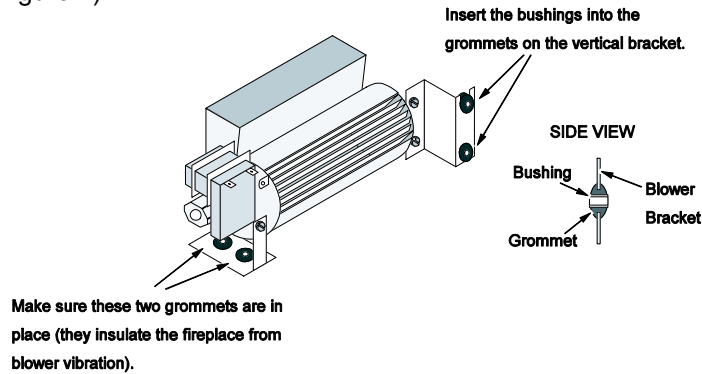


Figure 4

- 4 Attach the blower assemblies to the fireplace with the included screws (see Figure 5 “a”). Remove the cover plate from the fireplace and attach the snap disk using the same screws (see Figure 5 “b”).

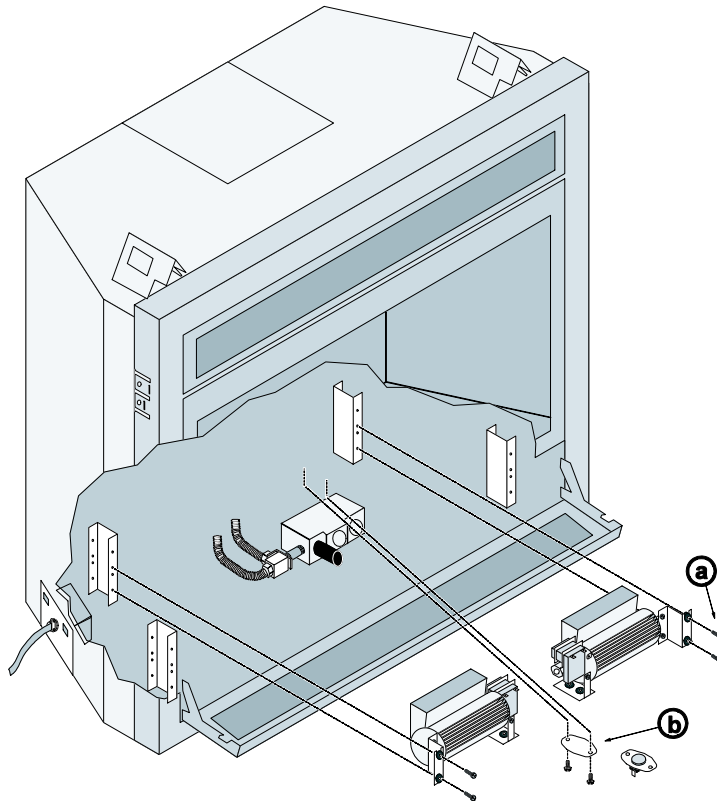


Figure 5

**HINT:**

It is easier to install the blower on the side opposite the gas line entry point (in this example on the left side). Slide the blower behind the gas control valve and burner gas lines.





# 864TRV GS – 564 SS GS

## Blower Installation Instructions (sku 99000162)

- 5 Attach the power input to the fireplace junction box (see Figure 6 “a”). Attach the blue connectors to one blower and the red connectors to the other blower (labeled “BLOWER” - see Figure 6 “b”). Connect the wires labeled “SNAP DISC” to the snap disc (see Figure 6 “c”). Attach the rheostat wires (see Figure 6 “d”). Secure the rheostat to the control panel (see Figure 6 “e”). Make sure all wiring is away from hot or moving components – secure with wire ties if necessary.

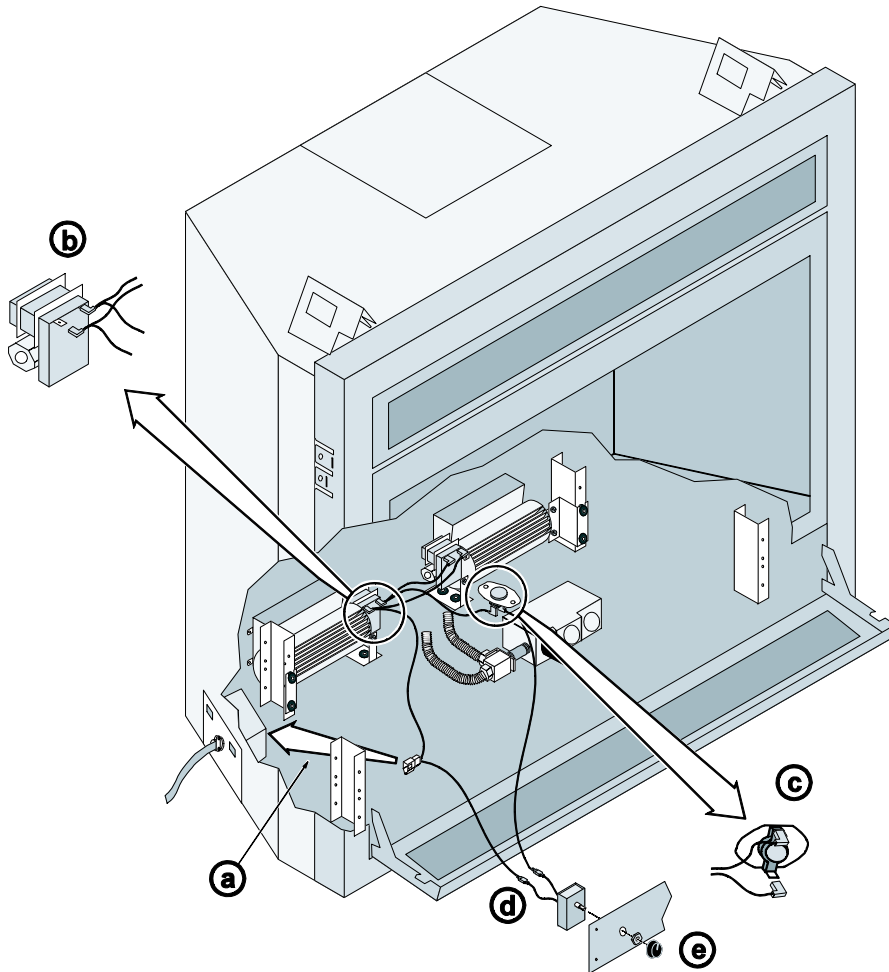


Figure 6

### Special Instructions for GreenSmart™ Remote

If using the Greensmart™ remote, the power input (see Figure 6 “a”) will be attached to a power cord and connected to the Fan Controller. See the remote installation instructions for details.

***Bypassing the Rheostat*** - In addition, you will need to bypass the rheostat (the remote controls the blower). This is done by disconnecting and discarding the electrical line that leads from the snap disk to the rheostat (carefully remove the wire tie and “SNAP DISK” label from the wiring harness – see Figure 7 “a”). Attach the lead from the power input to the snap disk (see Figure 7 “b”).

- 6 Replace the control panel and concealment cover and return the fireplace to the correct configuration.

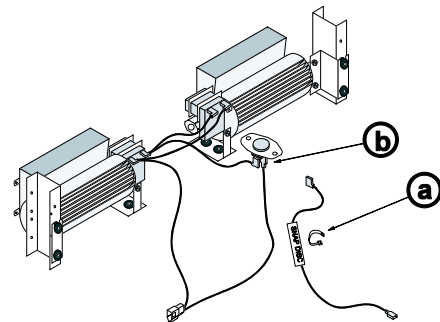


Figure 7