

## CHECK CONDITION OF SHIPMENT

Upon receipt of this kit, check the condition of the packaging. Damage to the package should be noted on the carrier's freight receipt. Any damage claims as a result of shipping must be handled through the shipper. Travis Industries will provide assistance in resolving shipping claims or replacing items not included in the package. Please report any missing items immediately.

## COMPATIBILITY

- Travis DVS Insert or Fireplace with Victorian Lace Face
- Travis DVL Insert or Fireplace with Victorian Lace Face

## TOOLS REQUIRED

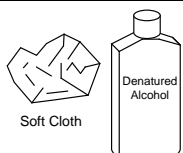
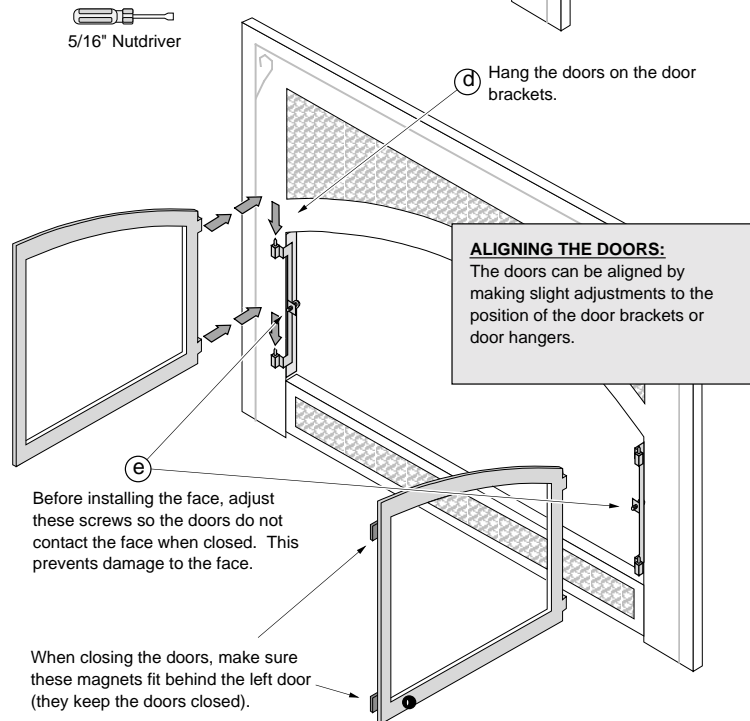
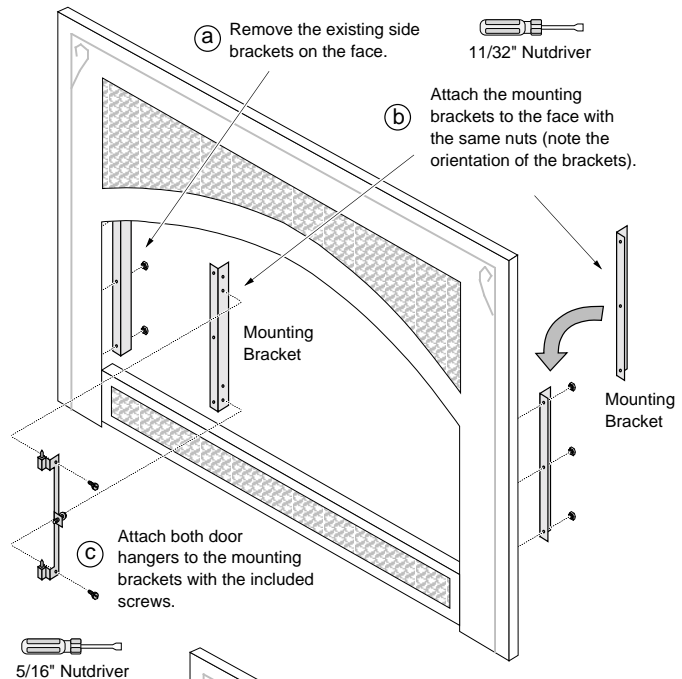
- 5/16" & 11/32" Nutdriver

## PACKING LIST

- Doors (left & right)
- (2) Mounting Brackets
- (2) Door Hangers (left & right)
- (4) Screws

## INSTALLATION INSTRUCTIONS

- ! Turn the gas control valve to "OFF" prior to conducting any service.
- 1 Install the doors prior to installing the face (remove the face if necessary – refer to the instructions included with the face). See the illustration to the right for details.



### Warning:

After installation, remove all tape from the plated surfaces and clean with denatured alcohol and a soft cloth. Any fingerprints or marks left on the plated surface may become etched-in by the heat of the stove. Use denatured alcohol and a soft cloth to clean.