

CHECK CONDITION OF SHIPMENT

Upon receipt of this kit, check the condition of the packaging. Damage to the package should be noted on the carrier's freight receipt. Any damage claims as a result of shipping must be handled through the shipper. Travis Industries will provide assistance in resolving shipping claims or replacing items not included in the package. Please report any missing items immediately.

COMPATIBILITY

- Travis Ind. DVS Insert
- Travis Ind. DVS Fireplace

TOOLS REQUIRED

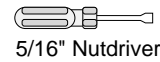
- 5/16" Nutdriver

PACKING LIST

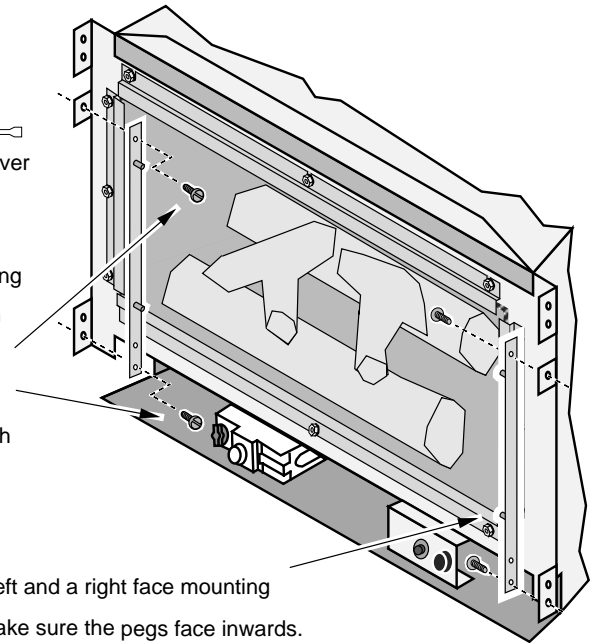
- Face
- Four 10-24 Screws
- Two Face Mounting Brackets
- Pull Tool

INSTALLATION INSTRUCTIONS

- ! Turn the gas control valve to "OFF" prior to conducting any service.
- 1 The log set, coals, and glass must be installed prior to installing the face (on the DVS Insert, the panels must be installed as well).
HINT: It is easiest to install the face mounting brackets with the glass removed.
DVS Fireplace Note: Leave the face angle in the angled-down position
- 2 Install the face mounting brackets following the directions to the right
- 3 Install the face following the directions below.

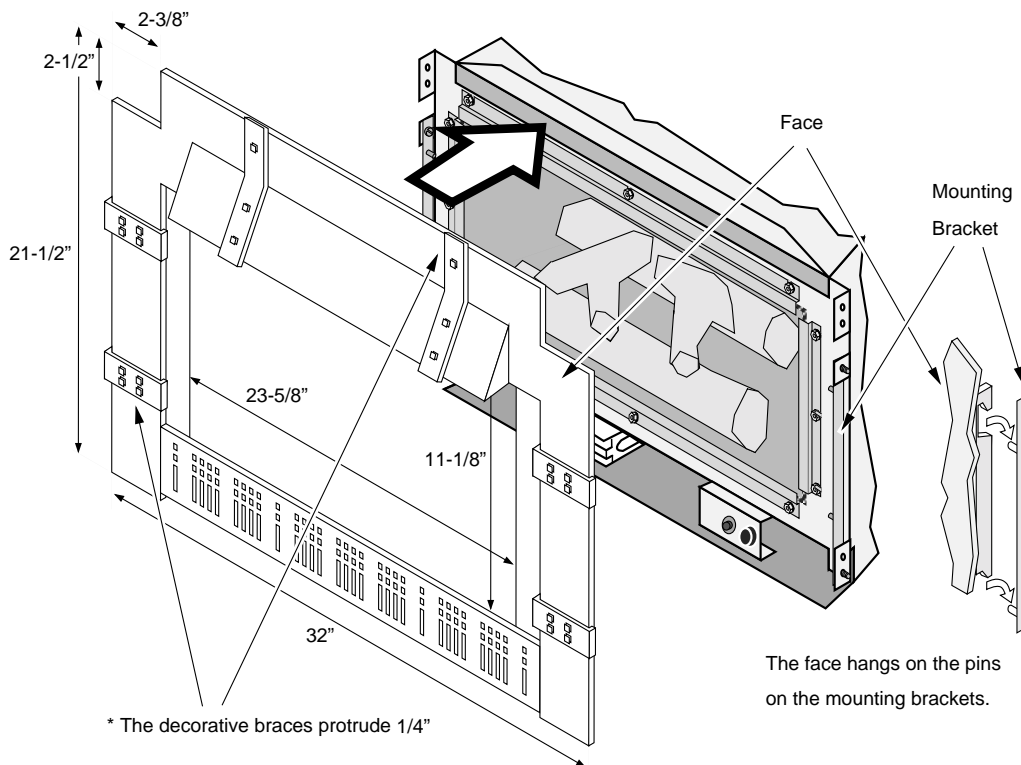


Attach the face mounting bracket with the four screws included with the face.



NOTE:

There is a left and a right face mounting bracket - make sure the pegs face inwards.



OPENING THE CONTROL DOOR

! The face becomes extremely hot during operation. To avoid burns, use the included pull tool to open the control door. Make sure the homeowner knows how to use this tool.

