

CHECK CONDITION OF SHIPMENT

Upon receipt of this kit, check the condition of the packaging. Damage to the package should be noted on the carrier's freight receipt. Any damage claims as a result of shipping must be handled through the shipper. Travis Industries will provide assistance in resolving shipping claims or replacing items not included in the package. Please report any missing items immediately.

COMPATIBILITY

- Travis Ind. DVS Insert
- Travis Ind. DVS Fireplace

PACKING LIST

- Face
- Four 10-24 Screws
- Two Face Mounting Brackets

INSTALLATION INSTRUCTIONS

- ! Turn the gas control valve to "OFF" prior to conducting any service.
- 1 The log set, coals, and glass must be installed prior to installing the face (on the DVS Insert, the panels must be installed as well).
HINT: It is easiest to install the face mounting brackets with the glass removed.
- 2 Install the face mounting brackets following the directions to the right
- 3 Install the face following the directions below.

TOOLS REQUIRED

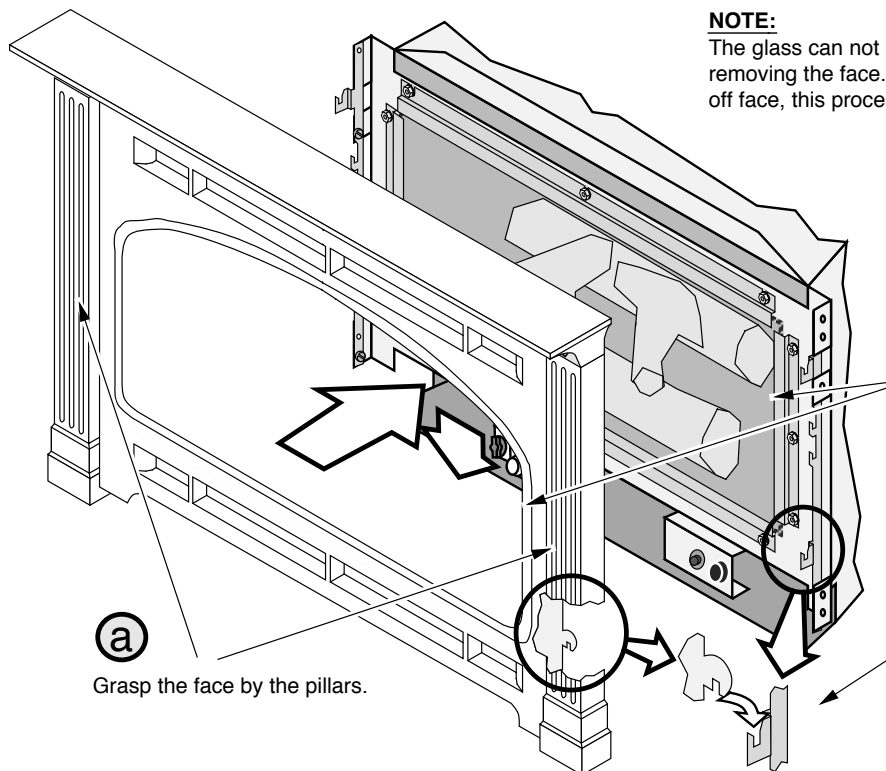
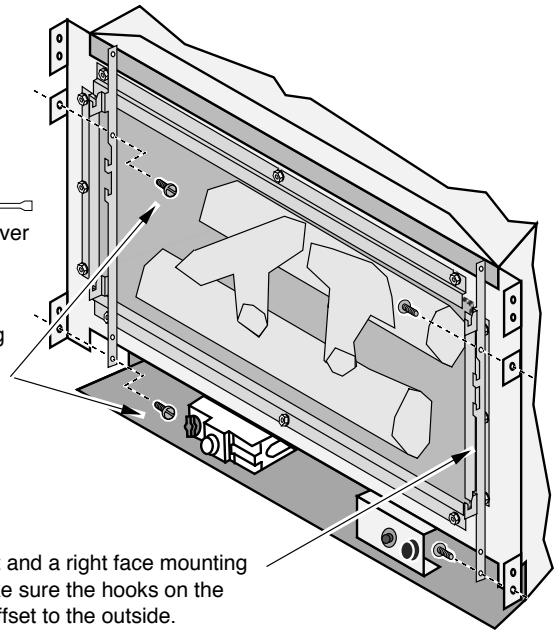
- 3/8" Nutdriver



Attach the face mounting bracket with the four screws included with the face.

NOTE:
There is a left and a right face mounting bracket - make sure the hooks on the bracket are offset to the outside.

NOTE:
The glass can not be removed without removing the face. However, with the slide-off face, this process is quick and easy.



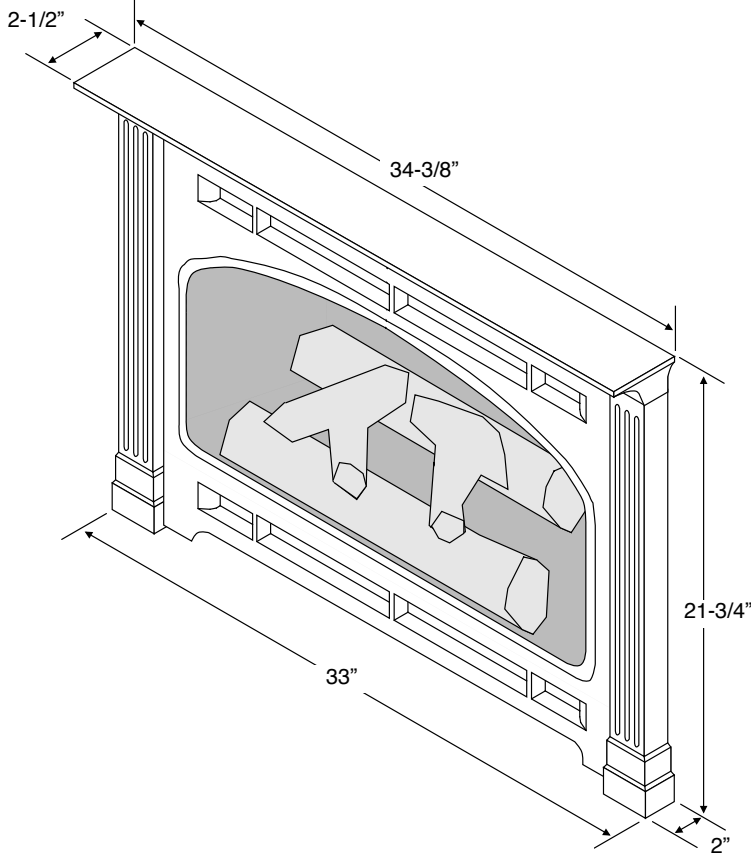
(a)
Grasp the face by the pillars.

(b)
Line up the edge of the glass with the opening on the face. Move the face forward until the tabs on the face are over the hooks on the face mounting brackets.

(c)
Slide the face down, securing the face at four corners.

FACING CONSIDERATIONS

Cambridge Face Dimensions



CLEARANCES:

- Face to Sidewall □ 6"
- Face to Mantel □ 17"
- Face to Side Facing □ 6"
- Face to Top Facing □ 10"
- Hearth Extension (front) □ 12"
- Hearth Extension (sides) □ 7"
- Combustibles to Front □ 36"

NOTE: follow all directions and requirements listed in the owner's manual.

DVS Fireplaces

Side View

