



TRAVIS INDUSTRIES
HOUSE OF FIRE

DVL Double-Door Backing Plate

Small 95100065 Large 95100066

Compatibility:

- DVL GSR
- 33 DVI

Packing List:

- Face (Backing Plate)
- (8) # 8 Keps Nuts
- (8) Screws
- Left and Right Mounting Brackets
- Surround Panel Mounting Brackets

Sizing

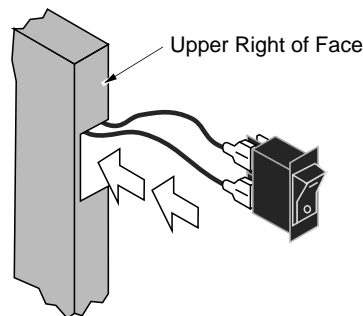
	<u>Width</u>	<u>Height</u>
<u>Small</u>	40"	27"
<u>Large</u>	44"	33-1/2"

Installation of the Rheostat and On/Off Switch (33 DVI Only)

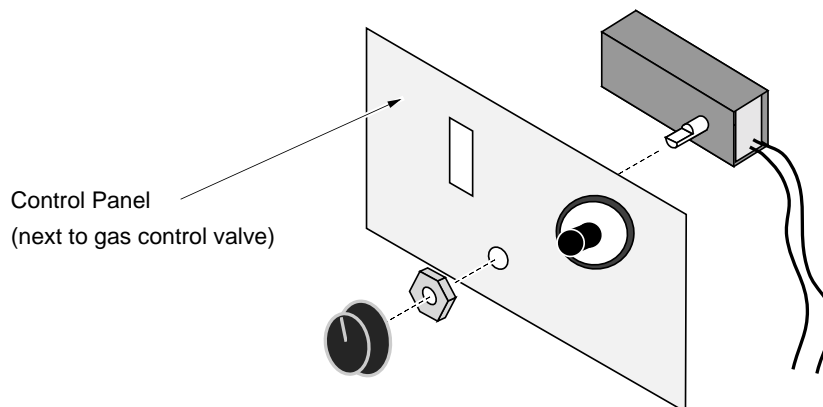
When using this face you may install the on/off switch on the face (see instructions below) or on the control panel (see manual). The rheostat must be installed on the control panel. See the directions below for details.

WARNING: Make sure to unplug the heater before installing the rheostat.

Make sure the wires leading to the on/off switch are firmly attached (they attach to the top and bottom posts on either side of the switch -it does not matter which wire is on top). Route the on/off switch to the slot on the upper right of the face (you will need to remove the lock-tie on the wiring harness). Remove the knock-out and slide the switch into the rectangular slot until it locks into place.



Remove the knob and nut from the rheostat. Insert the shaft on the rheostat through the circular hole on the control panel and secure with the nut. Replace the knob.



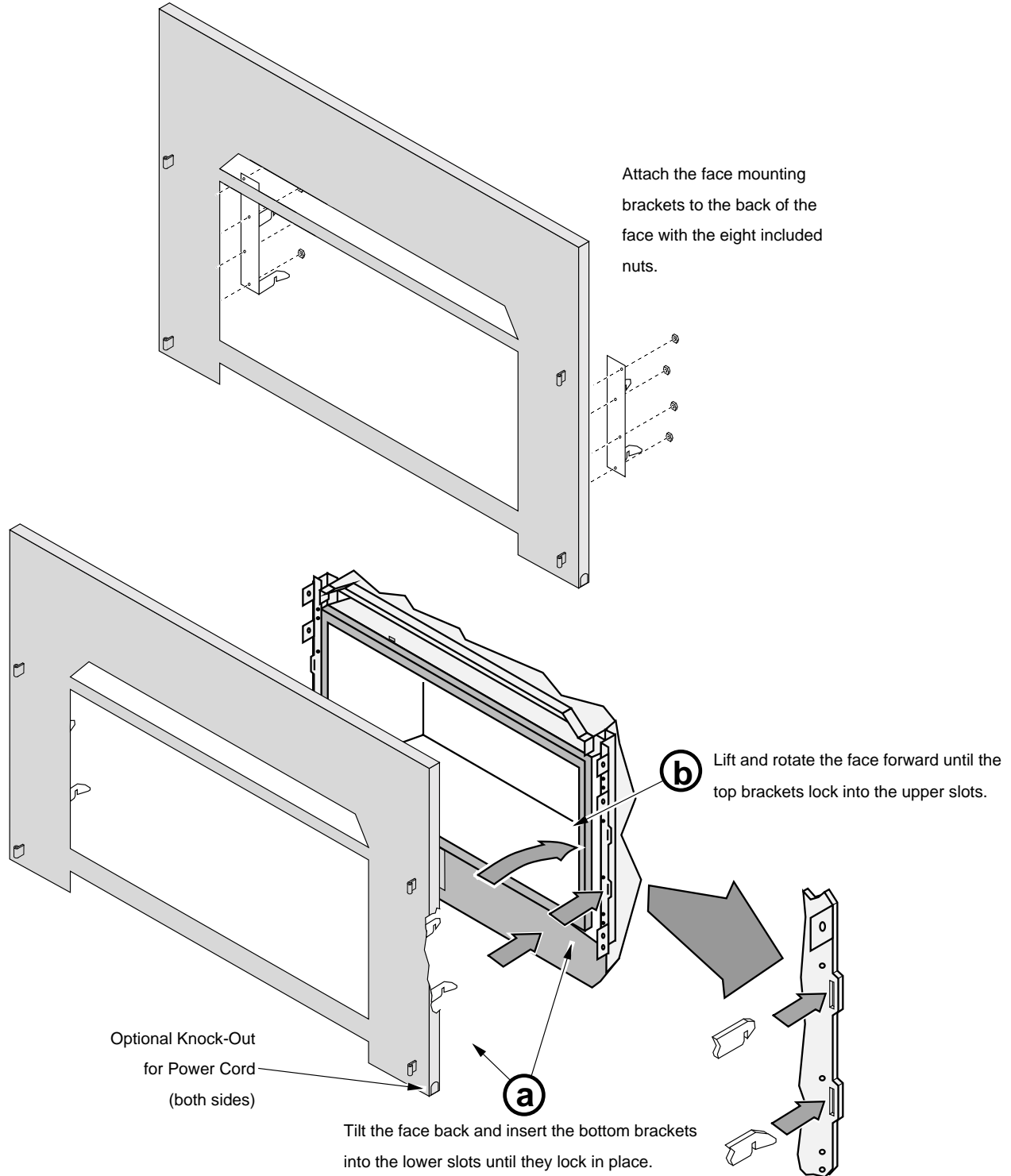


DVL Double-Door Backing Plate

Small 95100065 Large 95100066

Face Installation

NOTE: On the "No Panel Face" remove any lock ties used to secure the access door.





TRAVIS INDUSTRIES
HOUSE OF FIRE

DVL Double-Door Backing Plate

Small 95100065 Large 95100066

Using Surround Panels With the Double-Door Face

The included mounting brackets may be attached to the insert to allow installation of the surround panels behind the face. To better access the brackets, remove the glass frame from the insert (see the manual for details).

NOTE: These brackets offset the fireplace insert 1-1/8" to the front. This makes the insert protrude farther onto the hearth and moves the flue towards the front by 1-1/8"

